

**News**

**reflex**

**2022/23**

6 TAVOLI *DINING TABLES*

36 SEDUTE *CHAIRS*

52 MOBILI *FURNITURE*

86 TAVOLINI *SIDE & COFFEE TABLES*

96 DIVANI, POLTRONE E POUF *SOFAS, ARMCHAIRS AND POUF*

110 UFFICIO *OFFICE*

116 LUCI *LIGHTINGS*

124 SPECCHI *MIRRORS*

128 LETTI E COMPLEMENTI *BEDS AND NIGHT COMPLEMENTS*



Tables



Dune 72  
Pag. 6



Tau Biliardo  
Pag. 10



Apeiron 72  
Pag. 14



Big ben 72  
Pag. 32



Botero 72  
Pag. 24



Monolite 72  
Pag. 22



Murano  
Pag.12



Origami 72  
Pag. 28



Signore degli anelli 72  
Pag. 26

Chairs and stools



Atlantic sedia  
Pag. 36



Nido chair  
Pag. 46



Origami sedia e sgabello  
Pag. 44



Vela sgabello  
Pag. 50



Origami sedia  
Pag. 42

2023

2022

2023

2022





Big ben madia  
Pag. 70



Origami maxi buffet h 78  
Pag. 72



Space bar  
Pag. 68



Tango T - Anta tv  
Pag. 52



Tango T Box  
Pag. 54



Space buffet  
Pag. 66



Tango T Box  
Pag. 54



Uro buffet & buffet low  
Pag. 74



Uro madia  
Pag. 80

2023

2022

Office



Minerva office  
Pag. 114



Minerva office high  
Pag. 112



Oh scrivania  
Pag. 110

2023

2022

Lighting



Acqua applique  
Pag. 116



Cerchio sospensione  
Pag. 120



Dune sospensione  
Pag. 118



Space lampadario  
Pag. 122

2023

2022



Monolite 40  
Pag. 86



Petalò 40 h 25  
Pag. 94



Slide 40  
Pag. 92



Tau 40 steel thersia  
Pag. 88



Tau 40 murano  
Pag. 90

2023



Adone sofa  
Pag. 102



Amet lounge  
Pag. 106



Minerva poltrona high  
Pag. 108



Stratum sofa  
Pag. 98



Stratum pouf  
Pag. 96

2023

Bedrooms



Impact letto & XL  
Pag. 130



Space XL letto  
Pag. 128



Space comò e comò  
Pag. 134



Oh high letto  
Pag. 132

2023

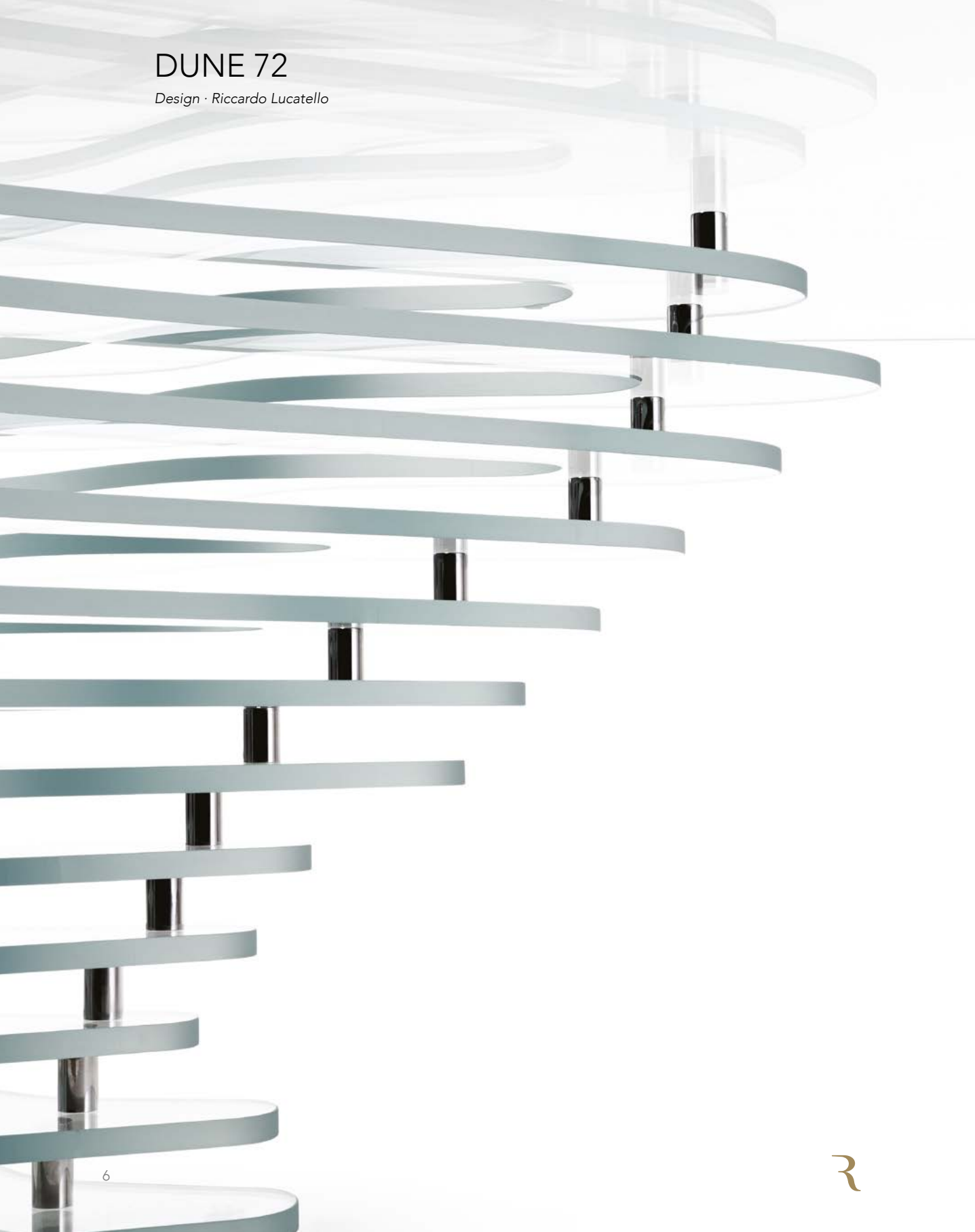
2022





# DUNE 72

Design · Riccardo Lucatello



Base detail in Extra clear glass ◀

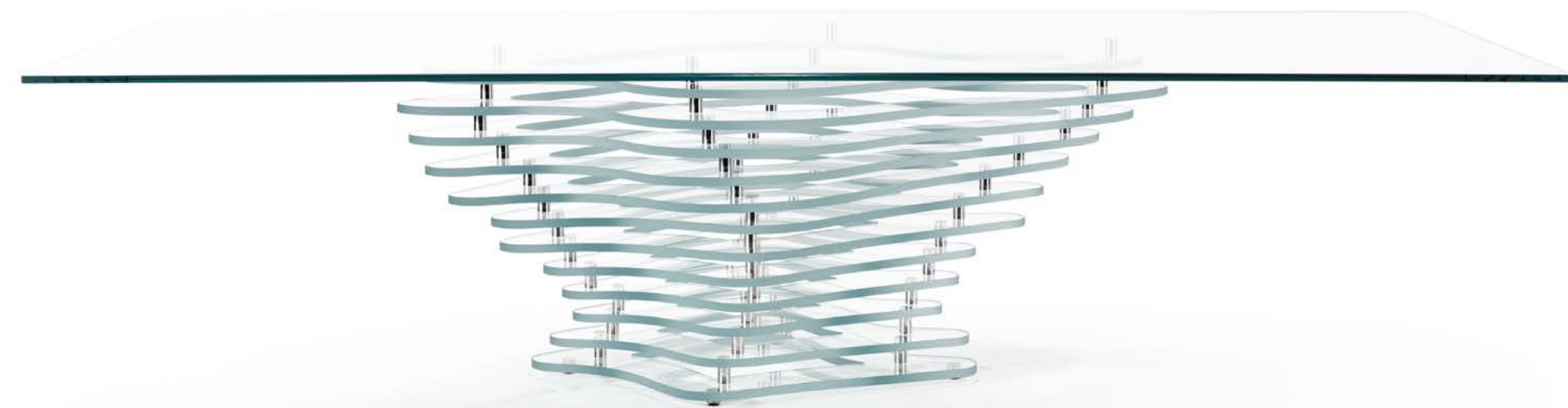
Top in Extra clear glass ▶  
Base in Extra clear glass  
300 x 140 x 74 h



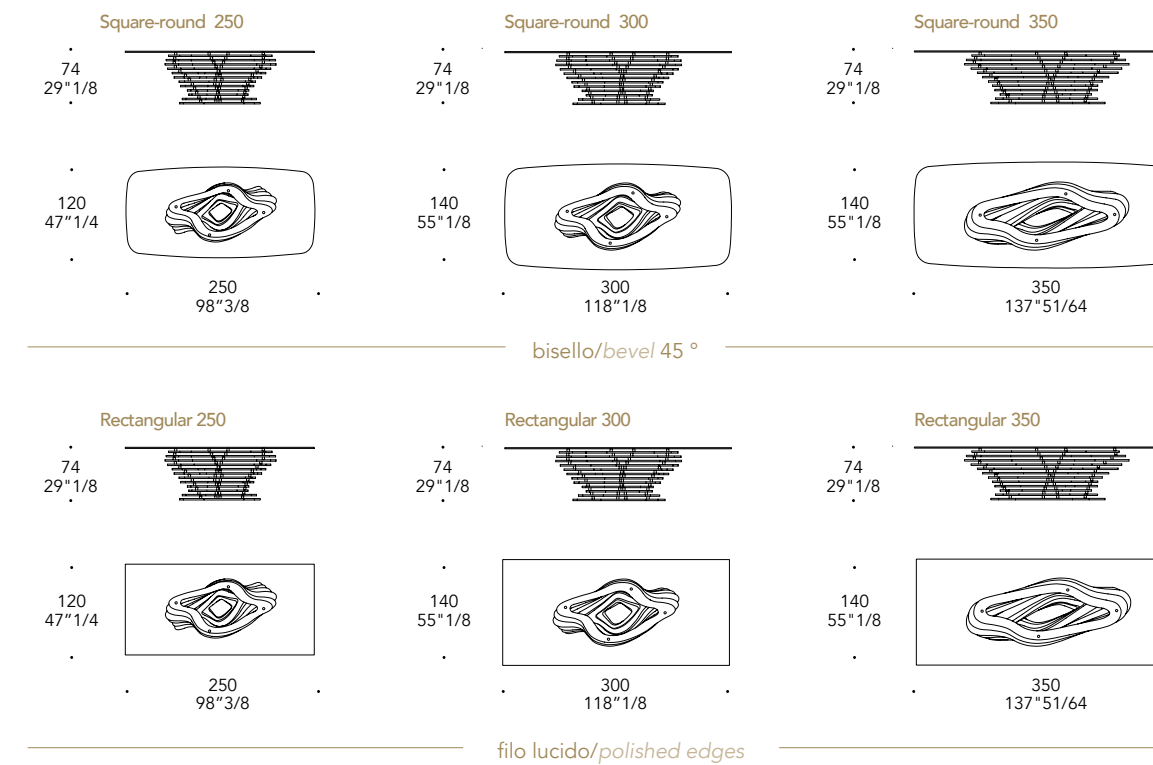
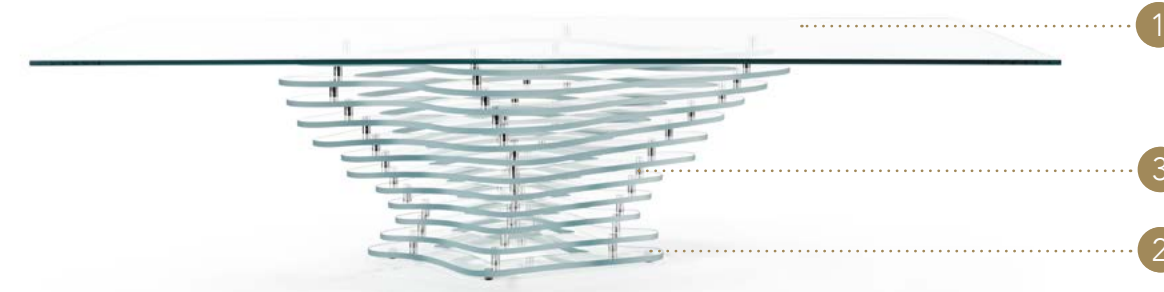


# DUNE 72

Design · Riccardo Lucatello

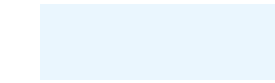


► Top in Extra clear glass  
Base in Extra clear glass  
300 x 140 x 74 h



## TOP | 1

Vetro  
Glass

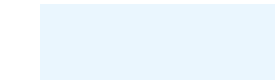


Extrachiaro  
Extra clear

sp./thick 15 mm.  
bisello 45°/bevel 45°  
filo lucido/polished edges

## BASE | 2

Vetro  
Glass



Extrachiaro  
Extra clear

sp./thick 19 mm.

## GIUNTI JOINTS | 3

Metallo  
Metal



Acciaio lucido  
Shiny steel



# TAU BILIARDO

Design: R&C Reflex

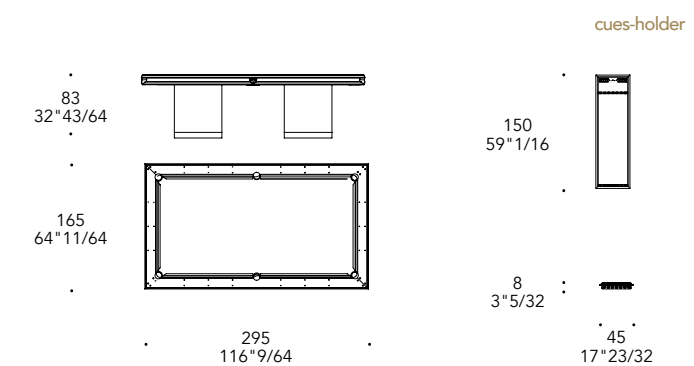


► Structure in satin Titanium 101M finish  
 Top in Playground Powder blue  
 Base in satin Titanium 101M finish covered  
 in leather Nabuk Grigio chiaro with Emerald quilting  
 295 x 165 x 83 h



- 6 buche in acciaio lucido
- Dimensione piano di gioco: cm.127x254
- Modello King con buche
- 6 holes in shiny steel
- Size of playing table: cm.127x254
- King model with holes

- OPTIONAL** |
- Porta stecche in vetro a specchio 45x8x150 h cm con supporti in vetro Extra Chiaro
  - Illuminazione Led perimetrale per il piano
  - Cues-holder in mirror glass 45x8x150 h cm with support in Extra Clear glass
  - Led lighting on the top



## STRUTTURA STRUCTURE | 1

|                 |   |   |
|-----------------|---|---|
| Legno<br>Wood   |   |   |
| finitura/finish | 100M Bronze<br>100M Bronze                    | 104M Ottone satinato<br>104M Satin Brass      |
|                 |   |   |
|                 | 105M Ottone Dark sat<br>105M Satin Dark Brass | 101M Titanium satinato<br>101M Satin Titanium |

## TOP | 2

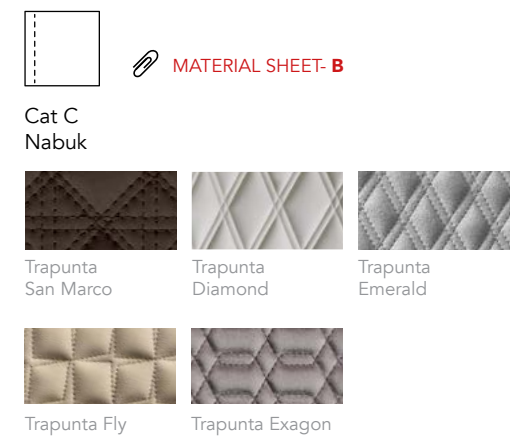
Panno da gioco  
Playing-felt

Colori a richiesta  
Colours on request

## BASE | 3

|                 |   |   |
|-----------------|---|---|
| Legno<br>Wood   |   |   |
| finitura/finish | 100M Bronze<br>100M Bronze                    | 104M Ottone satinato<br>104M Satin Brass      |
|                 |   |   |
|                 | 105M Ottone Dark sat<br>105M Satin Dark Brass | 101M Titanium satinato<br>101M Satin Titanium |

Rivestimento in  
Upholstery in:





# MURANO

Design · Luciano e Riccardo Lucatello

*Limited edition*



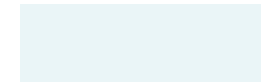
**MURANO**

► Top in Extra clear glass  
Base in Blue-grey Murano glass  
Ø 180 x 73 h



**TOP | 1**

Vetro  
Glass



Extrachiaro  
Extra clear

sp./thick 19 mm.

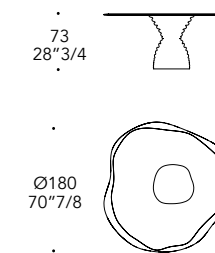
doppio bisello irregolare/  
double irregular bevel

**BASE\* | 2**

Vetro di Murano  
Murano glass



Blu - grigio  
Blue - grey



\* fatta a mano dai maestri del vetro di Murano,  
parte inferiore irregolare, potrebbe avere piedini di  
regolazione  
\* handmade by the masters of Murano glass, irregular  
lower part, it could have adjustment feet





# ÁPEIRON 72

Design · Riccardo Lucatello



Base detail in satin Dark Brass 105M finish ◀

Top in Extra clear glass ▶  
Base in satin Brass 104M finish  
250 x 120 x 74 h

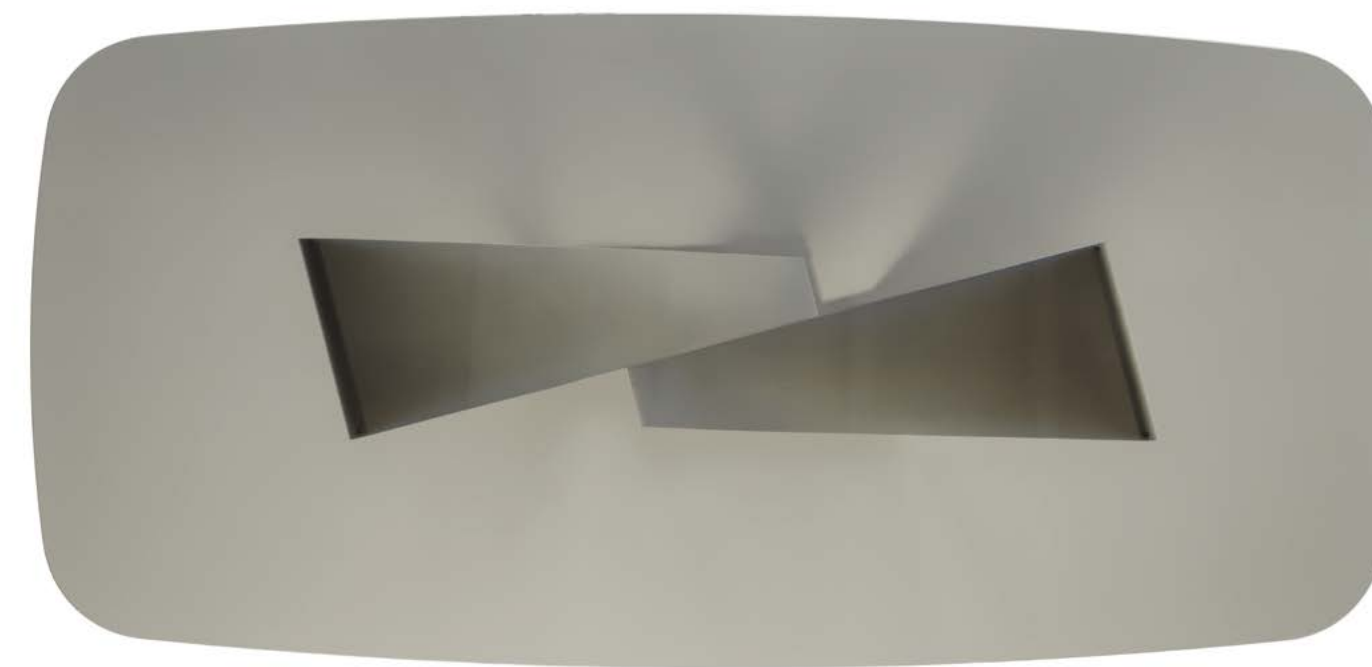


# ÁPEIRON 72

Design · Riccardo Lucatello



► Top in Smoked glass  
Base in satin Dark Brass 105M finish  
250 x 120 x 74 h





# ÁPEIRON 72

Design · Riccardo Lucatello



R

Base detail in satin Dark Brass 105M finish ◀

Top in MarmoReflex Sahara ▶  
Base in satin Dark Brass 105M finish  
250 x 120 x 74 h

Top in Extra clear glass  
Base in satin Dark Brass 105M finish  
300 x 120 x 74 h



R

# ÁPEIRON 72

Design · Riccardo Lucatello



## TOP | 1

Vetro  
Glass



Extrachiaro  
Extra clear

Trasparente  
Transparent



sp./thick 15 mm.  
sp./thick 12 mm.  
filo lucido/polished edges



Fumè  
Smoked

Vetro Marmo  
Marble glass  
**MARMOREFLEX\***



MATERIAL SHEET-D

Vetro Legno  
Wood glass  
**LEGNOREFLEX\***



MATERIAL SHEET-D



sp./thick 10+4 mm.  
filo Wing/Wing edge

Bevel wood legno  
Bevel wood



Noce Canaletto  
Canaletto walnut

Noce Canaletto Hennè  
Canaletto Hennè



sp./thick 40 mm.

Bevel vetro marmo  
Bevel marble glass  
**MARMOREFLEX\***



MATERIAL SHEET-D

Bevel vetro legno  
Bevel wood glass  
**LEGNOREFLEX\***



MATERIAL SHEET-D



sp./thick 40 mm.

Bordo in tinta finitura gamba  
Edge matching leg finish

## BASE | 2

Metallo  
Metal



100M Bronze  
100M Bronze

104M Ottone satinato  
104M Satin Brass

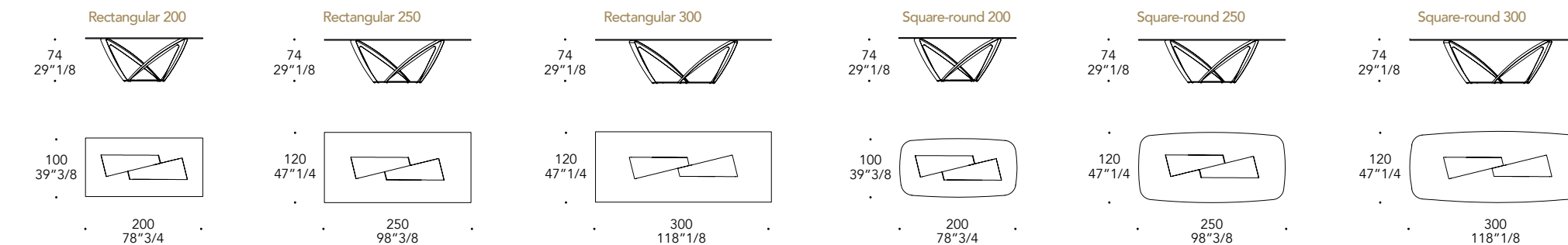


105M Ottone dark satinato  
105M Satin dark Brass

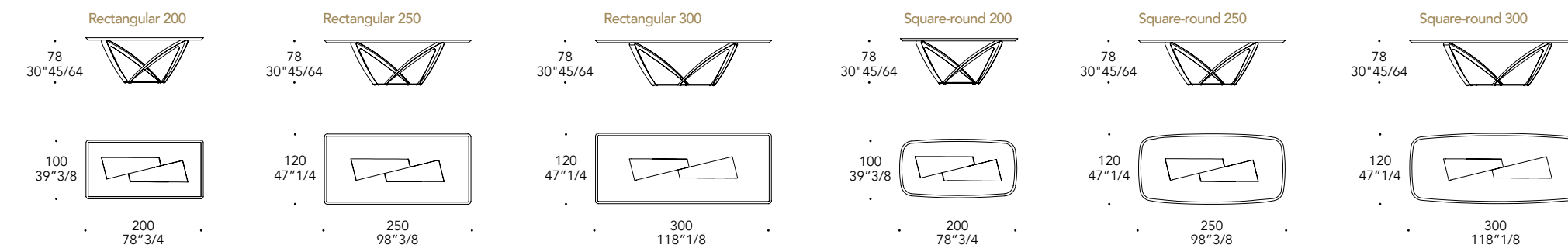
101M Titanium satinato  
101M Satin Titanium

finitura/finish

## VETRO, VETRO MARMO E VETRO LEGNO GLASS, MARBLE GLASS AND WOOD GLASS TOP



## BEVEL WOOD, BEVEL VETRO MARMO e BEVEL VETRO LEGNO BEVEL WOOD, BEVEL MARBLE GLASS and BEVEL WOOD GLASS





# MONOLITE 72

Design · R&C Reflex

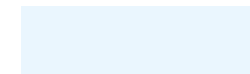


► Bevel W. MarmoReflex top in Sahara with edge in Bronze 100M finish  
Base in Bronze glass with London engravings  
250 x 120 x 76 h



## BASE | 2

Vetro  
Glass



Vetro extrachiaro  
Extra clear glass



Incisione London bronzo  
Bronze London engravings



Incisione London fumè  
Smoked London engravings

## TOP | 1

Bevel wood legno  
Bevel wood



sp./thick 40 mm.



Noce Canaletto  
Canaletto walnut



Noce Canaletto Hènè  
Canaletto Hènè

Bevel vetro marmo  
Bevel marble glass  
**MARMOREFLEX®**



MATERIAL SHEET-D

Bevel vetro legno  
Bevel wood glass  
**LEGNOREFLEX®**



MATERIAL SHEET-D

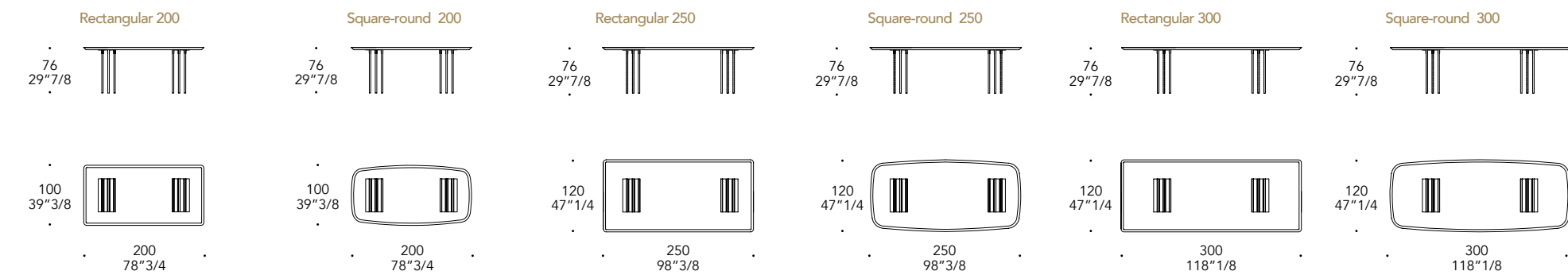
Bordo in  
Edge in:



sp./thick 40 mm.



100M Bronze  
100M Bronze





# BOTERO 72

Design · Marco Piva



► Top in MarmoReflex Onice bianco  
Base in Sunbronze 110M finish  
Ø 180 x 76 h



## TOP | 1

**MARMOREFLEX®**  
Vetro Marmo  
Marble glass



MATERIAL SHEET- D

**LEGNOREFLEX®**  
Vetro Legno  
Wood glass



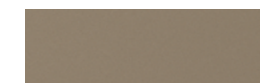
MATERIAL SHEET- D



sp./thick 10+4 mm.  
filo Wing/Wing edge

## BASE | 2

Metallo  
Metal



100M Bronze

100M Bronze



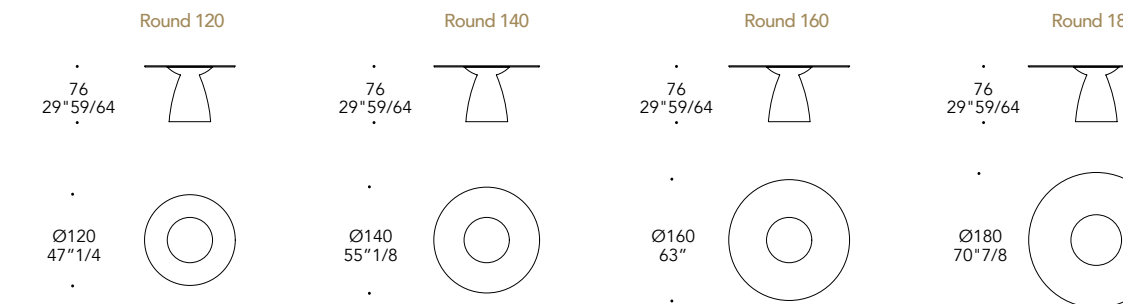
104M Ottone satinato  
104M Satin Brass



105M Ottone dark satinato  
105M Satin dark Brass



101M Titanium satinato  
101M Satin titanium





# SIGNORE DEGLI ANELLI 72

Design · R&C Reflex

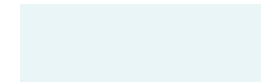


► Shaped top in Extra clear glass  
Cylinders in Silver sputtering finish  
120 x 250 x 75 h



## SHAPED TOP | 1

Vetro  
Glass



Extrachiaro  
Extra clear

sp./thick 19 mm.  
doppio bisello irregolare/  
double irregular bevel

## BASE | 2

Vetro di Murano  
Murano Glass



Trasparente  
Transparent

Rosso  
Red

Blu  
Blue

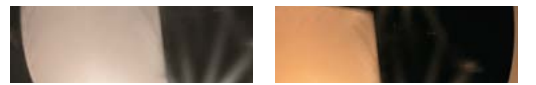


Ambra  
Amber

Tabacco  
Tobacco

Ametista  
Amethyst

Vetro di Murano  
finitura spatterizzata sfumata  
Murano Glass  
in shaded sputtered finishing

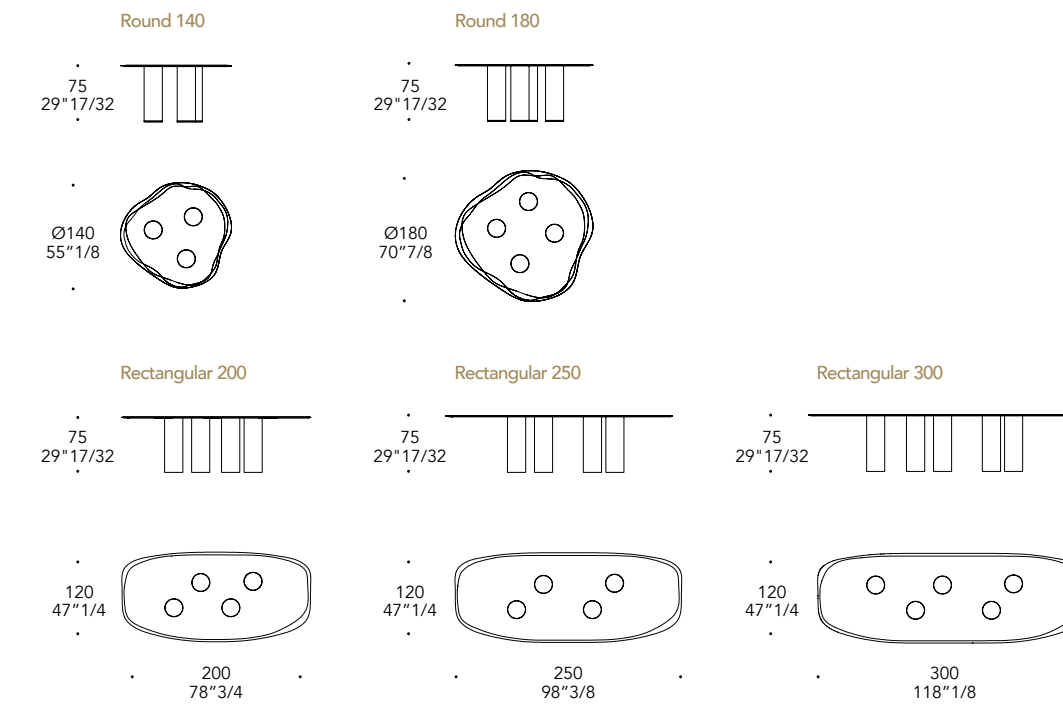


Argento  
Silver

Bronzo  
Bronze



Rame  
Copper





# ORIGAMI 72

Design · Tulczinsky



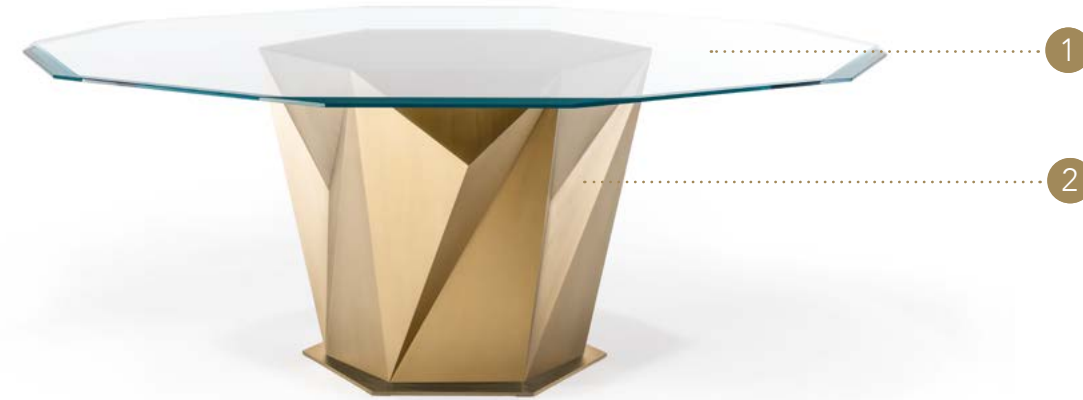
Bevelled top detail ◀

Top in Extra clear glass ▶  
Base in SunBronze 110M finish  
10 sided - 200 x 200 x 74 h



# ORIGAMI 72

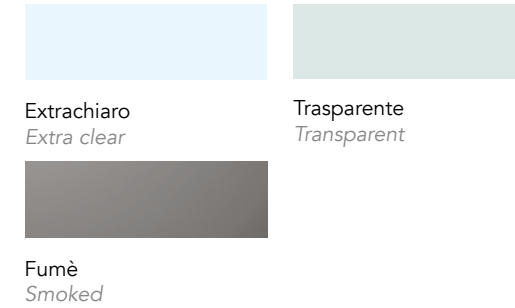
Design · Tulczinsky



## TOP | 1

Vetro  
Glass

sp./thick 15 mm.  
filo lucido/polished edges  
bisello 35 mm/35 mm bevel



Vetro Marmo  
Marble glass  
**MARMOREFLEX\***



Vetro Legno  
Wood glass  
**LEGNOREFLEX\***



sp./thick 10+4 mm.  
filo Wing/Wing edge

Vetro verniciato  
Lacquered glass

bisello 35 mm/35 mm bevel



105M Ottone dark satinato  
105M Satin dark Brass

## BASE | 2

Legno  
Wood



100M Bronze  
100M Bronze

104M Ottone satinato  
104M Satin Brass



105M Ottone dark satinato  
105M Satin dark Brass

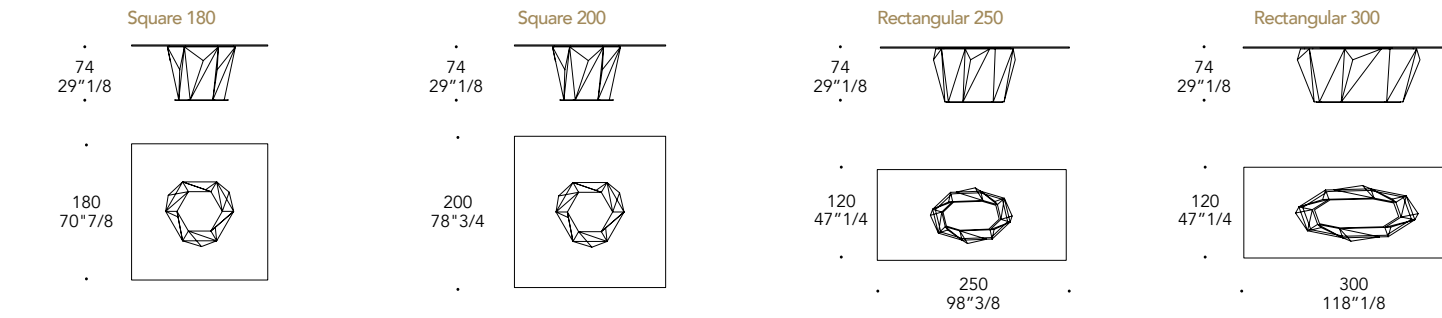
101M Titanium satinato  
101M Satin Titanium



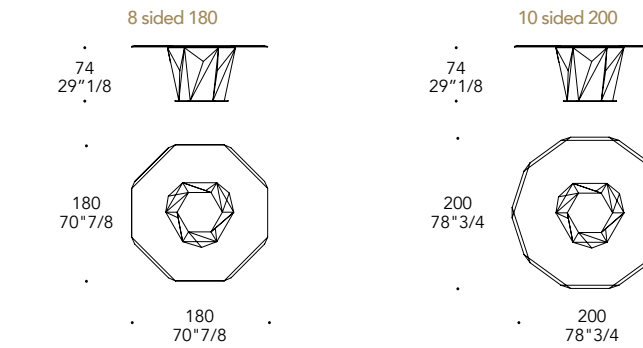
Noce canaletto  
Canaletto walnut

Noce Canaletto Hennè  
Canaletto Hennè

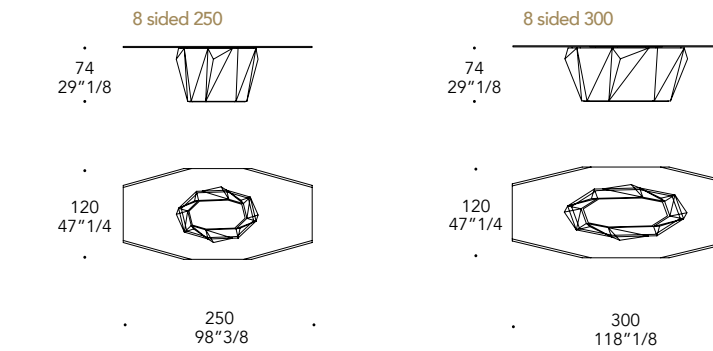
## VETRO, VETRO MARMO E VETRO LEGNO GLASS, MARBLE GLASS AND WOOD GLASS TOP



## VETRO EXTRACHIARO E VERNICIATO OTTONE DARK 105M EXTRA CLEAR GLASS OR 105M DARK BRASS FINISH



## VETRO EXTRACHIARO, VERNICIATO OTTONE DARK 105M E VETRO FUMÈ EXTRA CLEAR GLASS, 105M DARK BRASS FINISH AND SMOKED GLASS







# BIG BEN 72

Design · Riccardo Lucatello



Top in satin Brass 104M finish ►  
with MarmoReflex Sahara  
Transparent lazy Susan with gears in shiny gold  
and chrome finish on a Mesh glass background  
Base in satin Brass 104M finish covered in  
leather Cat. C Nocciola with Emerald quilting  
Ø 200 x 75 h







# BIG BEN 72

Design · Riccardo Lucatello



### TOP | 1

#### MARMOREFLEX®

Legno con inserto vetro Marmo  
Wood with insert in Marble glass



MATERIAL SHEET-D

#### LEGNOREFLEX®

Legno con inserto vetro Legno  
Wood with insert in Wood glass



MATERIAL SHEET-D

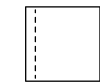
Bordo  
Edge

|                 |  |   |
|-----------------|--|---|
| finitura/finish | 100M Bronze<br>100M Bronze                         | 104M Ottone satinato<br>104M Satin Brass      |
|                 | 105M Ottone dark satinato<br>105M Satin dark Brass | 101M Titanium satinato<br>101M Satin Titanium |

### BASE | 3

Rivestimento in:  
Upholstery in:

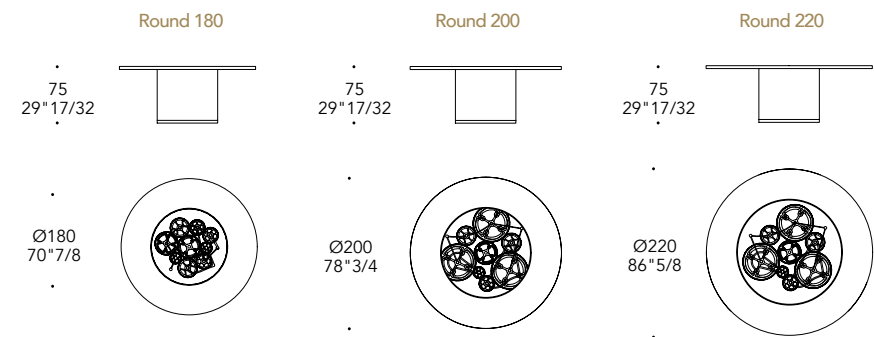
Pelle  
Leather



MATERIAL SHEET-B

Cat C  
Nabuk

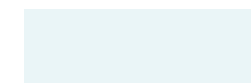
- Trapuntatura Emerald, San Marco, Diamond, Fly, Exagon
- Emerald, San Marco, Diamond, Fly, Exagon quilting
- Base in legno in tinta con bordo top
- Wooden base same finish as the top edge



Gears detail in shiny gold and chrome finish on a Mesh glass background

### LAZY SUSAN | 2

Vetro superiore  
Upper Glass



Extrachiario  
Extra clear

Vetro inferiore  
Bottom Glass



Mesh

Ingranaggi  
Metal gears



Oro  
Gold

Cromo lucido  
Shiny chrome

### OPTIONAL |

- Motore elettrico per meccanismo Lazy Susan
- Electric motor for Lazy Susan mechanism



# ATLANTIC SEDIA

Design · Riccardo Lucatello



► Back and seat in fabric Luxury Roma 07  
External cover in leather Cat. C Perla  
Legs in satin Brass 104M  
69,5 x 58 x 98 h





# ATLANTIC SEDIA

Design · Riccardo Lucatello



► Back and seat in fabric Luxury Roma 07  
External cover in custom leather  
Legs in satin Dark brass 105M  
56 x 58 x 98 h





# ATLANTIC SEDIA

Design · Riccardo Lucatello



► Back and seat in leather Nabuk Sabbia  
External cover in leather Cat. C Platino  
Legs in satin Brass 104M finish  
69,5 x 58 x 98 h



## SCHIENALE E SEDUTA | 1 BACK AND SEAT | 1

Rivestimento in  
Upholstery in:

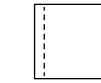
Tessuto  
Fabric



MATERIAL SHEET- A

Super  
Extra  
C.O.M.  
Luxury

Pelle  
Leather



MATERIAL SHEET- B

Naturale  
Nabuk  
Colorata  
Cat. C

## GAMBE LEGS | 3

Legno  
Wood

finitura/finish

100M Bronze  
100M Bronze

104M Ottone satinato  
104M Satin Brass

105M Ottone Dark sat  
105M Satin Dark Brass

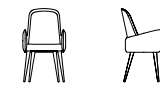
101M Titanium satinato  
101M Satin Titanium

Rovere Beluga  
Oakwood Beluga

Finitura Noce Canaletto  
Finish Canaletto walnut

with arms

98  
38\*37/64



50  
19\*11/16

without arms

98  
38\*37/64



50  
19\*11/16

60,5  
23\*13/16



58  
22\*53/64

56  
22\*3/64



58  
22\*53/64

## COVER ESTERNA | 2 EXTERNAL COVER | 2

Rivestimento in  
Upholstery in:

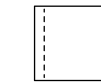
Tessuto  
Fabric



MATERIAL SHEET- A

Super  
Extra  
C.O.M.  
Luxury

Pelle  
Leather



MATERIAL SHEET- B

Naturale  
Nabuk  
Colorata  
Cat. C



# ORIGAMI SEDIA

Design · Tulczinsky



► Upholstery in leather Nabuk Sabbia  
Legs in Bronze 100M finish  
58 x 61,5 x 91,5 h





# ORIGAMI SEDIA E SGABELLO

Design · Tulczinsky



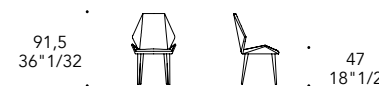
Upholstery in fabric Super Via bagutta 06 ◀  
 Legs in satin Brass 104M finish  
 62 x 71 x 93 h

## BASE | 2

Metallo  
Metal

|                 |   |   |
|-----------------|---|---|
|                 |   |   |
| finitura/finish | 100M Bronze<br>100M Bronze                    | 104M Ottone satinato<br>104M Satin Brass      |
|                 |   |   |
|                 | 105M Ottone Dark sat<br>105M Satin Dark Brass | 101M Titanium satinato<br>101M Satin Titanium |

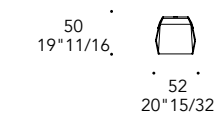
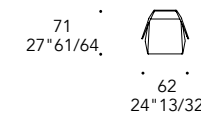
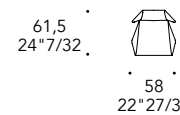
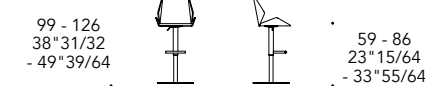
chair without arms



chair with arms



Stool



## SCHIENALE E SEDUTA | 1 BACK AND SEAT

Rivestimento in:  
Upholstery in:

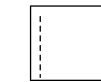
Tessuto  
Fabric



MATERIAL SHEET-A

Super  
Extra  
Luxury  
C.O.M

Pelle  
Leather



MATERIAL SHEET-B

Naturale  
Nabuk

## GAMBE LEGS | 2

Legno  
Wood



100M Bronze  
100M Bronze

finitura/finish

104M Ottone satinato  
104M Satin Brass

105M Ottone Dark sat  
105M Satin Dark Brass



101M Titanium satinato  
101M Satin Titanium



Rovere Beluga  
Oakwood Beluga



Finitura Noce Canaletto  
Finish Canaletto walnut





# NIDO CHAIR

Design · *pininfarina*



- Upholstery in leather Colorata Blu Grafite
- Shell and legs in satin Brass 104M finish
- Handle in shiny steel
- 63 x 56 x 78 h

# NIDO CHAIR

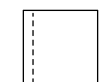
Design · *pininfarina*



## SCHIENALE E SEDUTA | 2 BACK AND SEAT

Rivestimento in  
Upholstery in:

Pelle  
Leather



**MATERIAL SHEET-B**

CAT C  
Nabuk  
Colorata  
Dune

Tessuto  
Fabric

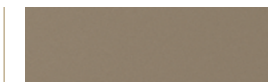


**MATERIAL SHEET-A**

Super  
Extra  
Luxury  
C.O.M

## SCOCCA E GAMBE | 1 3 SHELL AND LEGS

Legno  
Wood



100M Bronze  
100M Bronze

finitura/finish



104M Ottone satinato  
104M Satin Brass



105M Ottone Dark sat  
105M Satin Dark Brass



101M Titanium satinato  
101M Satin Titanium

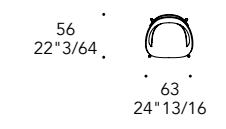
## MANIGLIA | 4 HANDLE

Metallo  
Metal



Acciaio lucido  
Shiny steel

Upholstery in leather Colorata Mirto ◀  
Shell and legs in Bronze 100M finish  
Handle in shiny steel  
63 x 56 x 78 h



# VELA SGABELLO

Design · *pininfarina*



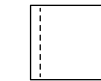
1

2

## SEDUTA E SCOCCA | 1 SEAT AND SHELL

Rivestimento esterno in  
External upholstery in:

Pelle  
Leather

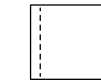


MATERIAL SHEET-B

CAT C  
Nabuk  
Colorata

Rivestimento interno trapuntato in  
Internal quilted upholstery in:

Pelle  
Leather



MATERIAL SHEET-B

CAT C  
Nabuk  
Colorata

Tessuto  
fabric



MATERIAL SHEET-A

Super  
Extra

## BASE | 2

Metallo  
Metal



100M Bronze  
100M Bronze



104M Ottone satinato  
104M Satin Brass





105M Ottone Dark sat  
105M Satin Dark Brass



101M Titanium satinato  
101M Satin Titanium

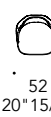
► Exterior upholstered in leather Cat. C Testa di Moro  
Interior upholstered in fabric Super Parigi 20  
Base in satin Dark Brass 105M finish  
52 x 52 x 104 h

104 - 131  
40\*15/16  
- 51\*37/64

59 - 86  
23\*15/64  
; 33\*55/64

52  
20\*15/32



52  
20\*15/32





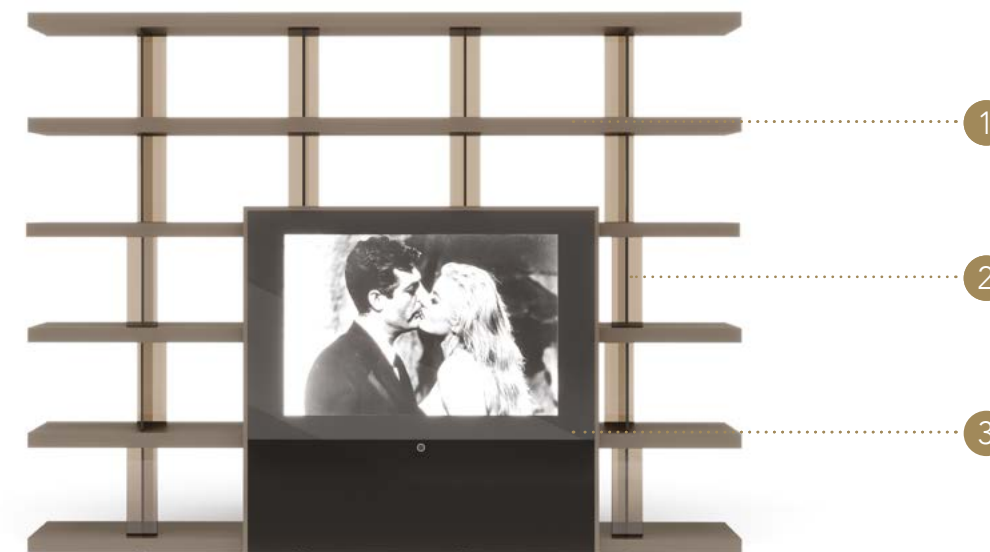


# TANGO T ANTA TV

Design · R&C Reflex



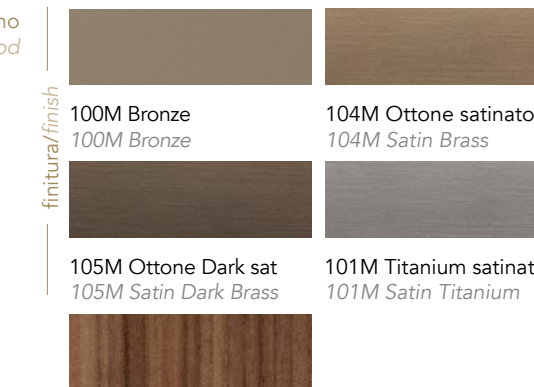
► Wooden shelves in Bronze 100M finish  
Partitions in Bronze glass  
Sliding door in Dark grey mirror glass with metal frame and horizontal lycra-band for speakers  
285 x 36 x 174 h - Tv door: 140 x 8 x 140 h



## MENSOLE SHELVES | 1

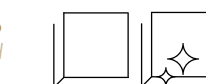
Legno  
Wood

sp./thick 60 mm.



Noce Canaletto  
Canaletto walnut

Legno laccato opaco o lucido  
Matt or shiny lacquered wood



MATERIAL SHEET-C

Colori di serie  
Standard colours

## DIVISORI DIVISIONS | 2

Vetro  
Glass

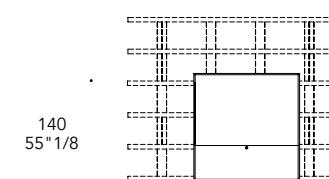
sp./thick 10 mm.



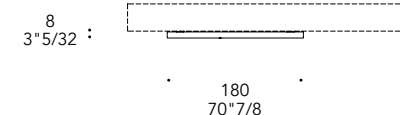
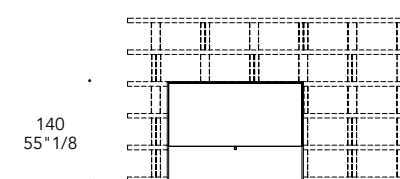
Bronzo  
Bronze

Fumè  
Smoked

For TV max 55"



For TV from 60" to 75"



## ANTA TV TV DOOR | 3

Vetro  
Glass



Specchio Dark grey  
Dark grey mirror

Cornice in metallo  
Metal frame



100M Bronze  
100M Bronze

Fascia per speaker  
Band for speaker



Lycra  
Lycra







# TANGO T BOX

Design · R&C Reflex



► Wooden shelves in satin Brass 104M finish  
 Bronze glass partitions  
 Doors in Bronze glass with London engravings  
 For tv module back in MarmoReflex Onice Bianco  
 933 x 298 x 216 h







# TANGO T BOX

Design · R&C Reflex



Wooden shelves in satin  
Dark Brass 105M finish  
Partitions and backs in Bronze glass  
Doors in bronze glass with  
London engravings  
220 x 38 x 174 h

Wooden shelves in satin Titanium 101M finish  
Partitions and backs in Bronze glass  
Doors in Bronze glass with London engravings  
220 x 38 x 174 h







# TANGO T BOX

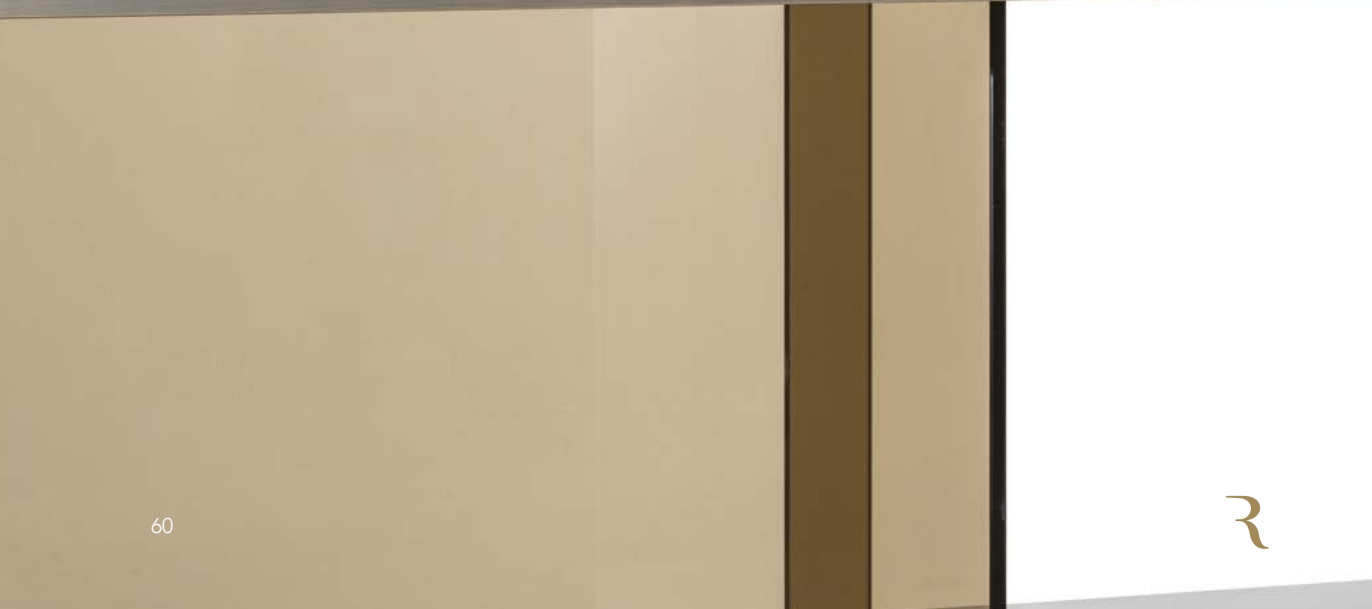
Design · R&C Reflex



► Wooden shelves in satin Titanium 101M finish  
Partitions and backs in Bronze glass  
Doors in MarmoReflex Grey st. Laurent  
563 x 307 x 48 h







Wooden shelves in satin Dark Brass 105M finish ◀  
Partitions and backs in Bronze glass  
Doors in bronze glass with London engravings  
220 x 38 x 174 h



**ANTE DOORS | 3**

Vetro  
Glass



London bronzo  
Bronze london

London fumè  
Smoked london

esterno/external

Vetro Marmo  
Marble glass

**MARMOREFLEX\***



MATERIAL SHEET- D

Vetro Legno  
Wood glass

**LEGNOREFLEX\***



MATERIAL SHEET- D

interno/internal

Vetro verniciato  
Lacquered glass



100M Bronze  
100M Bronze

\* solo moduli Tv - Composition B  
\* only for TV modules - Composition B

**MENSOLE SHELVES | 1**

Legno  
Wood

sp./thick 60 mm.



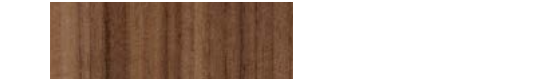
100M Bronze  
100M Bronze

104M Ottone satinato  
104M Satin Brass



105M Ottone Dark sat  
105M Satin Dark Brass

101M Titanium satinato  
101M Satin Titanium



Noce Canaletto  
Canaletto walnut

Legno laccato opaco o lucido  
Matt or shiny lacquered wood



MATERIAL SHEET- C

Colori di serie  
Standard colours

**DIVISORI E SCHIENA DIVISIONS AND BACK | 2**

Vetro  
Glass

sp./thick 10 mm.



Bronzo  
Bronze

Fumè  
Smoked

\* Vetro Marmo  
\* Marble glass

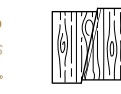
**MARMOREFLEX\***



MATERIAL SHEET- D

\* Vetro Legno  
\* Wood glass

**LEGNOREFLEX\***



MATERIAL SHEET- D

**CERNIERE HINGES | 4**

Metallo  
Metal



Acciaio lucido  
Shiny steel

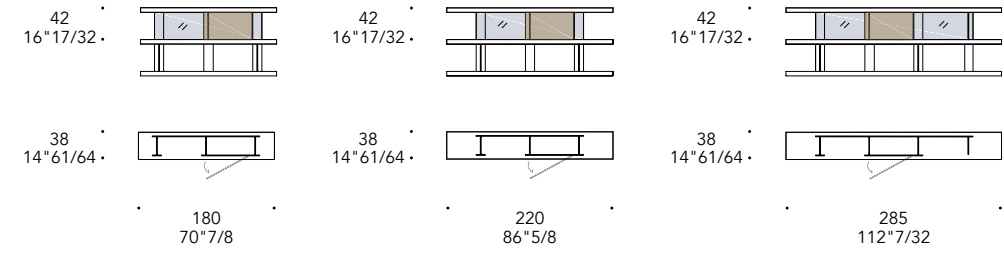


# TANGO T BOX

Design · R&C Reflex

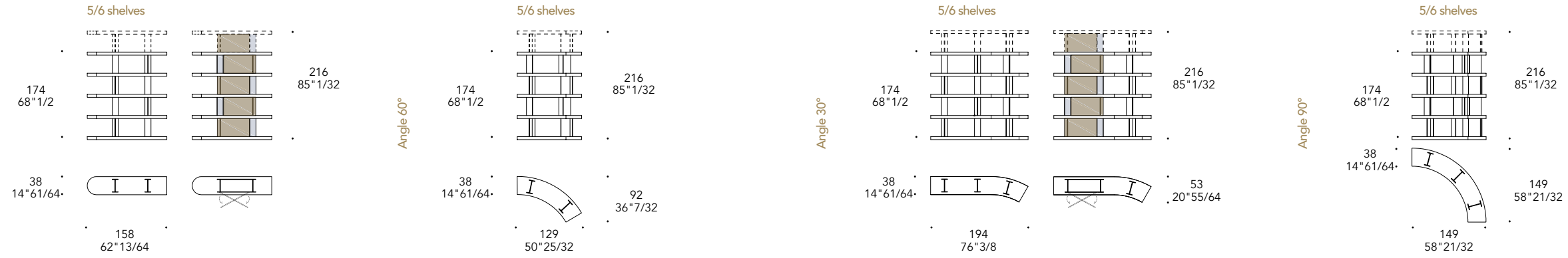
2022

Basic modularity



2023

Curved terminal

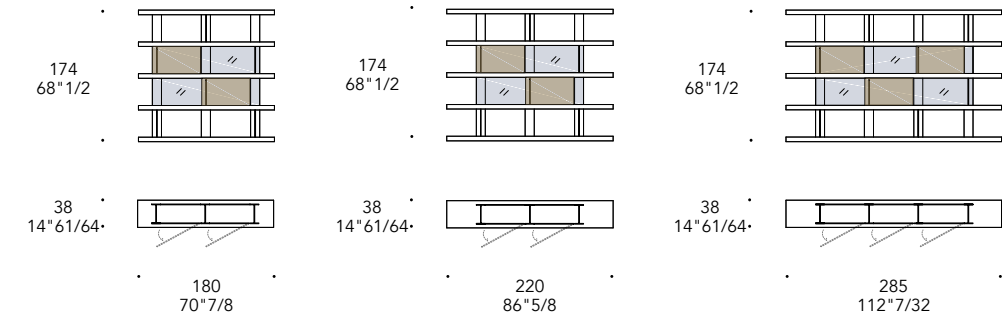


Caption

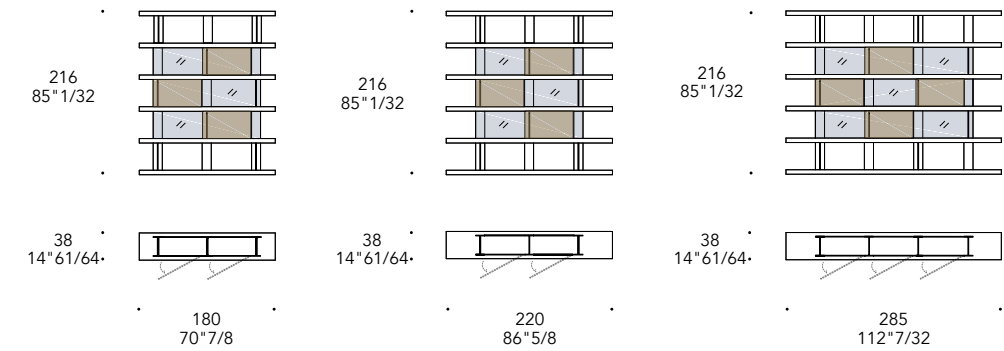
- Schiena in vetro/ Glass Back
- Anta in vetro/ Glass Door
- Apertura anta/ Door opening

Composition A

5 shelves

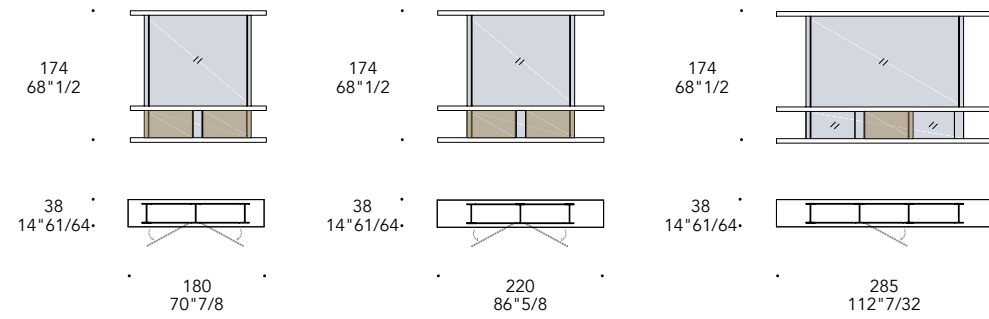


6 shelves

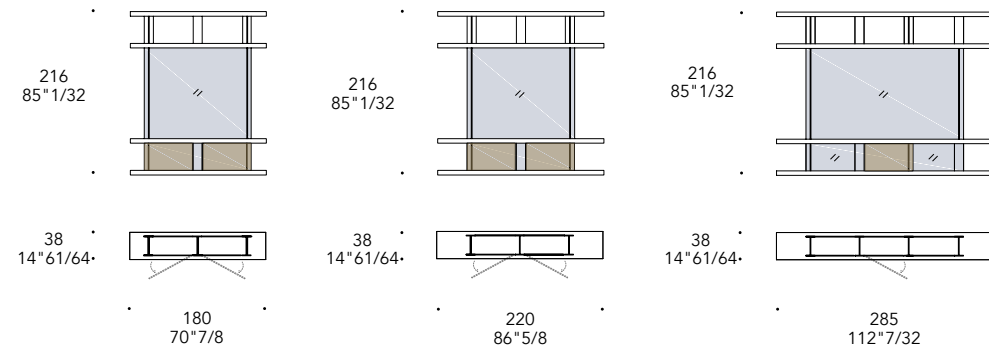


Composition B

5 shelves

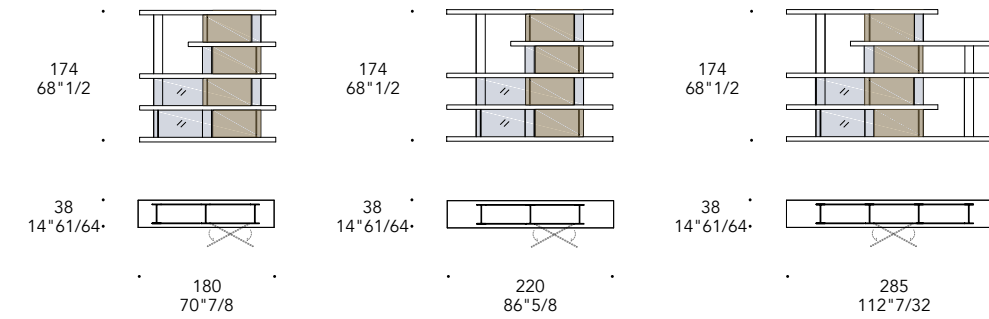


6 shelves

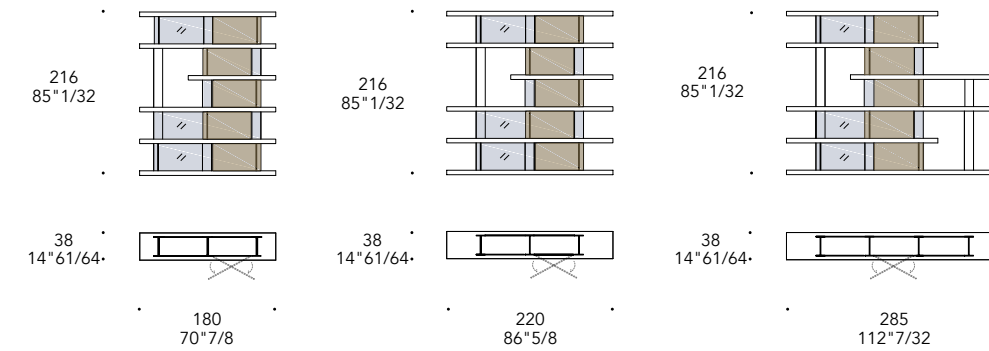


Composition C

5 shelves



6 shelves

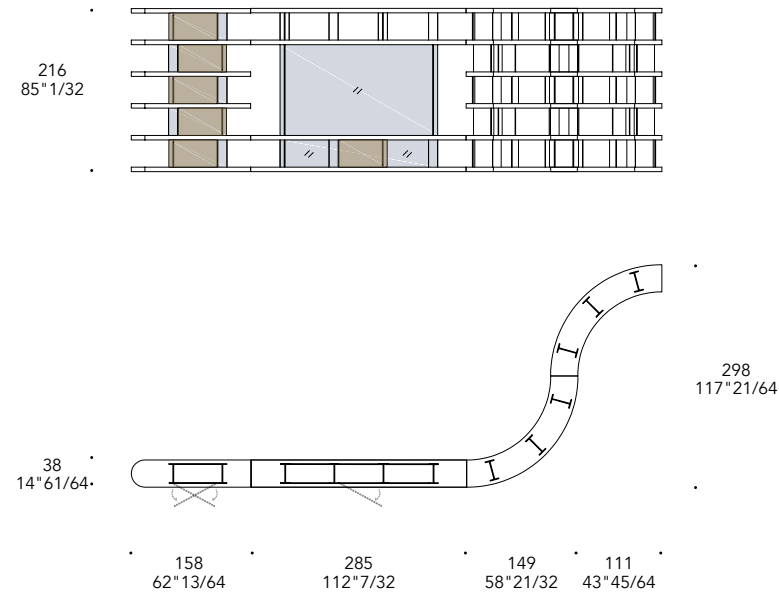


# TANGO T BOX

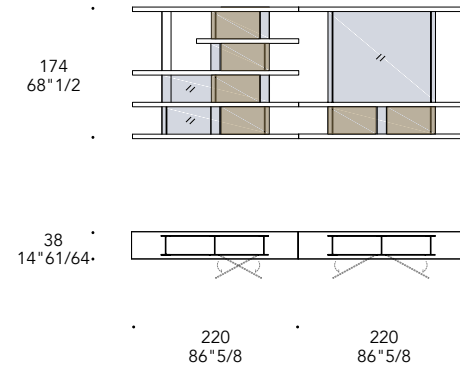
Design · R&C Reflex

## EXAMPLES OF COMPOSITIONS

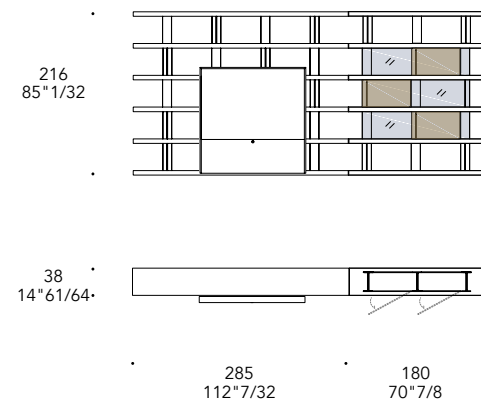
Example 1\_ 703 x 298 x 216 h  
Tango T box + Curved terminals



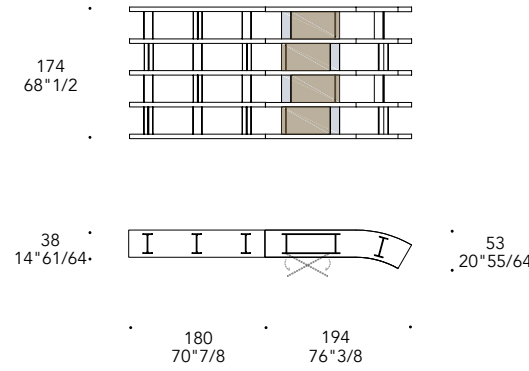
Example 2\_ 440 x 38 x 174 h  
Tango T box



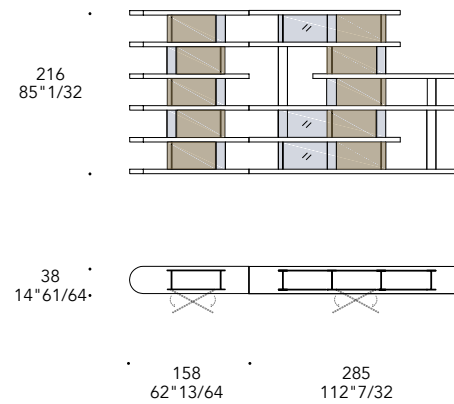
Example 4\_ 465 x 38 x 216 h  
Tango T anta TV + Tango T box



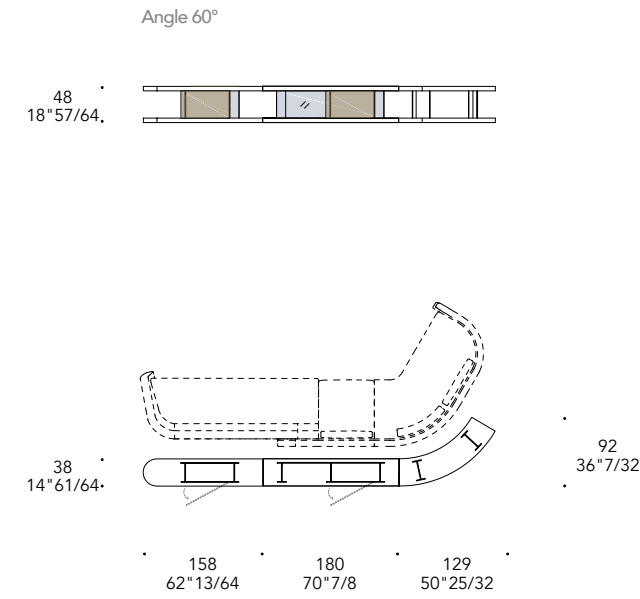
Example 3\_ 374 x 53 x 174 h  
Tango T + Tango T box



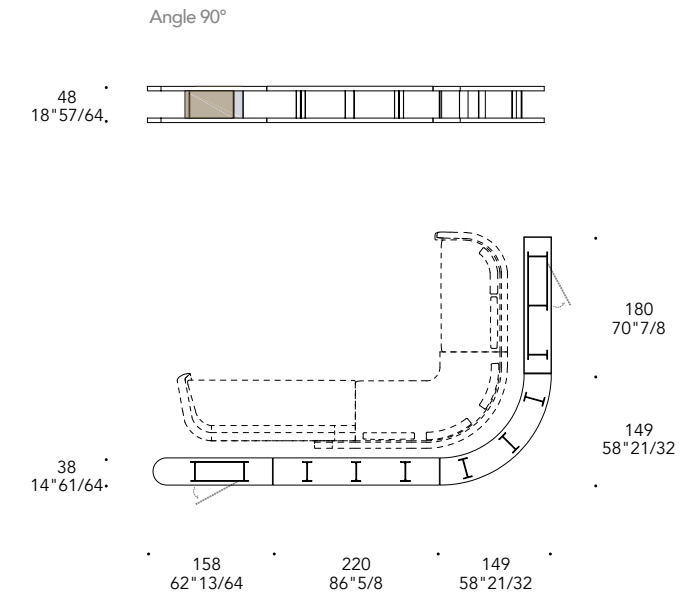
Example 5\_ 438 x 38 x 216 h  
Tango T box



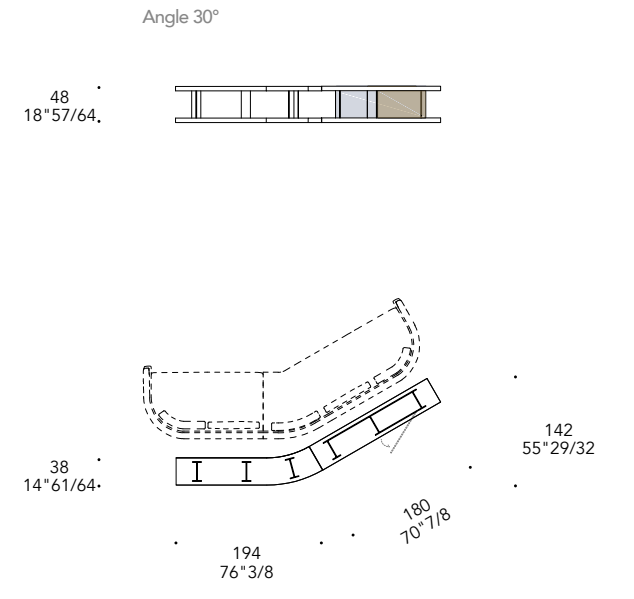
Example 6\_ 467 x 92 x 48 h  
Tango T box in composition with sofas



Example 7\_ 527 x 329 x 48 h  
Tango T box in composition with sofas



Example 7\_ 351 x 142 x 48 h  
Tango T box in composition with sofas





# SPACE BUFFET

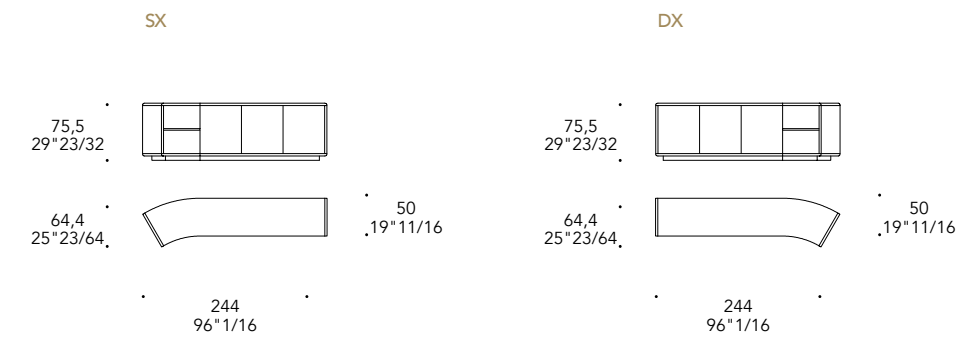
Design · R&C Reflex



► Structure and plinth in satin Dark Brass 105M finish  
Doors in MarmoReflex Sahara  
Shelf in Smoked glass  
244 x 64,4 x 75,5 h

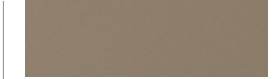


- Ante con apertura push-pull
- Ripiani interni in vetro trasparente
- Doors with push-pull opening
- Transparent glass shelves inside



## STRUTTURA STRUCTURE | 1

Legno  
Wood



100M Bronze  
100M Bronze



104M Ottone satinato  
104M Satin Brass

105M Ottone Dark sat  
105M Satin Dark Brass



101M Titanium satinato  
101M Satin Titanium

## ANTE DOORS | 2

Vetro Marmo  
Marble glass

MARMOREFLEX®



MATERIAL SHEET-D

Vetro Legno  
Wood glass

LEGNOREFLEX®



MATERIAL SHEET-D

## ZOCOLO PLINTH | 3

Legno  
Wood



100M Bronze  
100M Bronze

## MENSOLA SHELF | 4

Vetro  
Glass



Fumè  
Smoked



# SPACE BAR

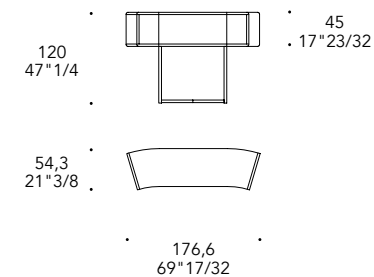
Design · R&C Reflex



► Wooden structure in satin Titanium 101M finish  
 Door in MarmoReflex Sahara  
 Base in Bronze 100M finish  
 176,6 x 54,3 x 120 h



- Ante con apertura push-pull
- Ripiani interni in vetro trasparente
- Doors with push-pull opening
- Transparent glass shelves inside



## STRUTTURA STRUCTURE | 1

Legno  
Wood



100M Bronze  
100M Bronze



104M Ottone satinato  
104M Satin Brass

105M Ottone Dark sat  
105M Satin Dark Brass



101M Titanium satinato  
101M Satin Titanium

## ANTA DOOR | 2

Vetro Marmo  
Marble glass



MATERIAL SHEET-D

MARMOREFLEX®

Vetro Legno  
Wood glass



MATERIAL SHEET-D

LEGNOREFLEX®

## BASE | 3

Metallo  
Metal



100M Bronze  
100M Bronze



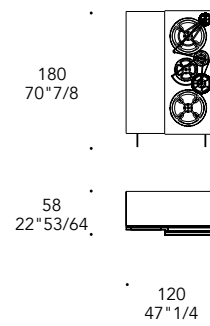


# BIG BEN MADIA

Design · Riccardo Lucatello

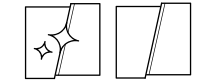


► External cover in shiny Nero Beluga lacquered glass  
 Metal legs in Bronze 100M finish  
 1 door in Mesh glass with metal gears in mixed  
 Gold and shiny Chrome finishing  
 120 x 58 x 180 h



## STRUTTURA STRUCTURE | 1

Legno rivestito in vetro  
 verniciato o acidato  
 verniciato  
 Wood with applications  
 in lacquered or etched  
 lacquered glass



MATERIAL SHEET-D

Colori di serie  
 Standard colours

## ANTA SX LEFT DOOR | 2

Scorrevole in vetro  
 verniciato o acidato  
 verniciato  
 Sliding - Lacquered or  
 etched lacquered glass

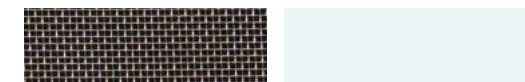


MATERIAL SHEET-D

Colori di serie  
 Standard colours

## ANTA DX RIGHT DOOR | 3

Vetro  
 Glass



Mesh

Extrachiaro  
 Extra clear

Ingranaggi  
 Metal gears



Oro  
 Gold

Cromo lucido  
 Shiny chrome

## PIEDINI LEGS | 4

Metallo  
 Metal



100M Bronze  
 100M Bronze





# ORIGAMI MAXI h 78

Design · R&C Reflex



► Wooden structure in satin Brass 104M finish  
Legs in metal Bronze 100M finish  
220 x 54 x 78 h



3 ante con apertura a battente e ripiani in vetro  
3 doors with hinged opening and glass shelves

## NEWS 2023

82  
32"9/32

78  
30"45/64

56  
22"3/64

54  
21"17/64

210  
82" 43/64

220  
86"5/8

### STRUTTURA STRUCTURE | 1

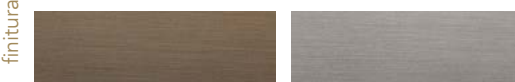
Legno  
Wood



finitura/finish

100M Bronze  
100M Bronze

104M Ottone satinato  
104M Satin brass

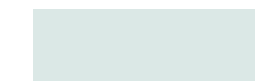


105M Ottone dark satinato  
105M Satin dark brass

101M Titanium satinato  
101M Satin titanium

### PIEDINI LEGS | 2

Vetro  
Glass



sp./thick 15 mm.  
H 12 mm.

Trasparente  
Transparent

finitura/finish

Metallo  
Metal



100M Bronze  
100M Bronze



# URO BUFFET & BUFFET LOW

Design · Emanuele Missaglia e Luciano Lucatello



R

Wooden structure and legs in satin Brass 104M finish ►  
Doors in Marmoreflex Orange black  
Case on top in bronze glass with LED lighting  
Model B - 308 x 53 x 75 h



R



# URO BUFFET & BUFFET LOW

Design · Emanuele Missaglia e Luciano Lucatello



Wooden structure lacquered in Grigio venezia ▶  
Legs in Bronze 100M finish  
Doors and drawer in Marmoreflex Sahara  
Case on top in bronze glass with LED lighting  
Model C - 248 x 53 x 75 h





# URO BUFFET & BUFFET LOW

Design · Emanuele Missaglia e Luciano Lucatello



Wooden structure in Canaletto Walnut ▶  
Legs in satin Titanium 101M finish  
Doors and drawer in MarmoReflex Calacatta oro  
Case on top in bronze glass with LED lighting  
Model C - 208 x 53 x 75 h





# URO MADIA

Design: Emanuele Missaglia e Luciano Lucatello



Structure in satin Brass 104M finish ◀  
Legs in satin Titanium 101M finish  
Doors and drawer in MarmoReflex Orange black  
Case on top in bronze glass with LED lighting  
Model B - 128 x 53 x 147 h

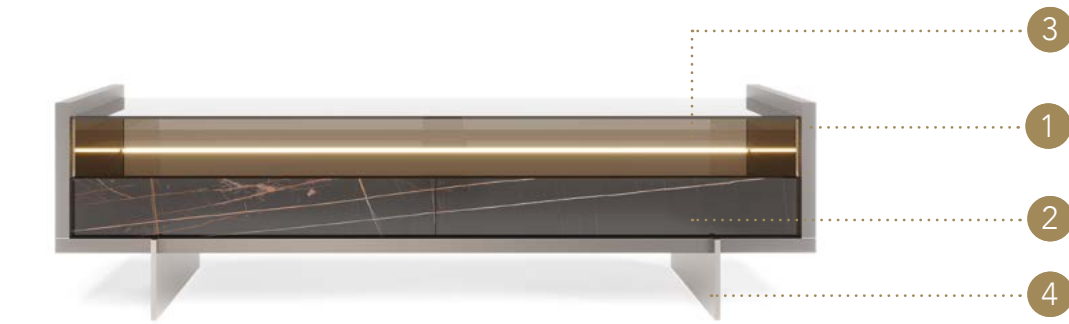
Wooden structure and legs in Bronze 100M finish ▶  
Doors in MarmoReflex Sahara and Bronze glass  
Model A - 128 x 53 x 147 h





# URO BUFFET, BUFFET LOW & MADIA

Design · Emanuele Missaglia e Luciano Lucatello



## STRUTTURA STRUCTURE | 1

Legno  
Wood



Noce canaletto  
Canaletto walnut

Noce Canaletto Hennè  
Canaletto Hennè



100M Bronze  
100M Bronze



104M Ottone satinato  
104M Satin Brass



105M Ottone dark satinato  
105M Satin dark Brass

finitura/finish



101M Titanium satinato  
101M Satin Titanium

Legno laccato lucido  
Shiny lacquered wood



Bianco Venezia

Grigio Venezia



Hennè Venezia

Bordeaux Venezia

- Sistema Led / Led system

## ANTE E CASSETTO DOORS AND DRAWER | 2

Vetro Marmo  
Marble glass

MARMOREFLEX®



MATERIAL SHEET-D

Vetro Legno  
Wood glass

LEGNOREFLEX®



MATERIAL SHEET-D

Vetro  
Glass



Carbonio  
Carbon glass



Mesh

## VANO A GIORNO OPEN COMPARTMENT | 3

Vetro  
Glass



Bronzo  
Bronze



Specchio Bronzo  
Bronze mirror



Fumè  
Smoked



Specchio fumè  
Smoked mirror

## GAMBE LEGS | 4

Metallo  
Metal



100M Bronze  
100M Bronze



104M Ottone satinato  
104M Satin Brass



105M Ottone dark satinato  
105M Satin dark Brass

finitura/finish



101M Titanium satinato  
101M Satin Titanium

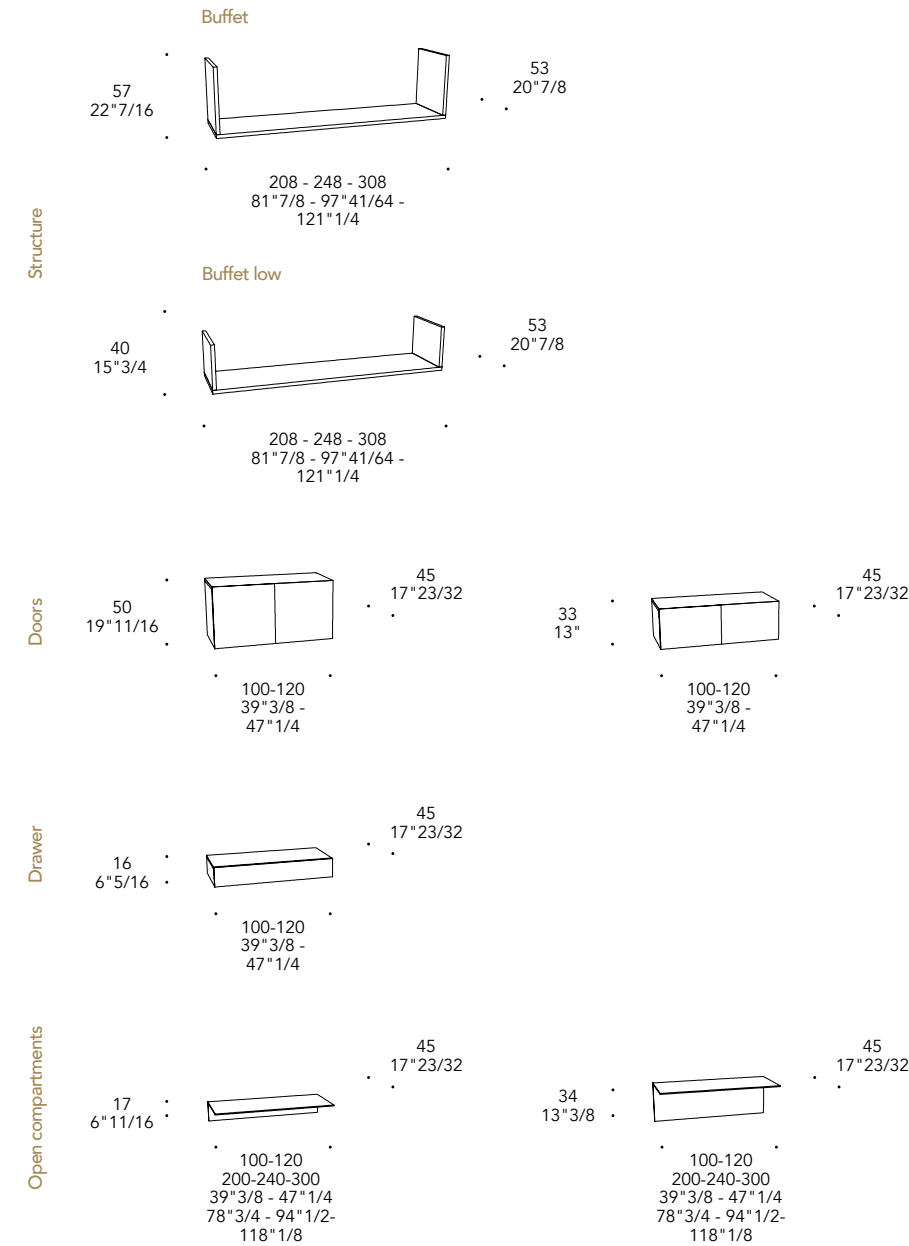


# URO BUFFET, BUFFET LOW & MADIA

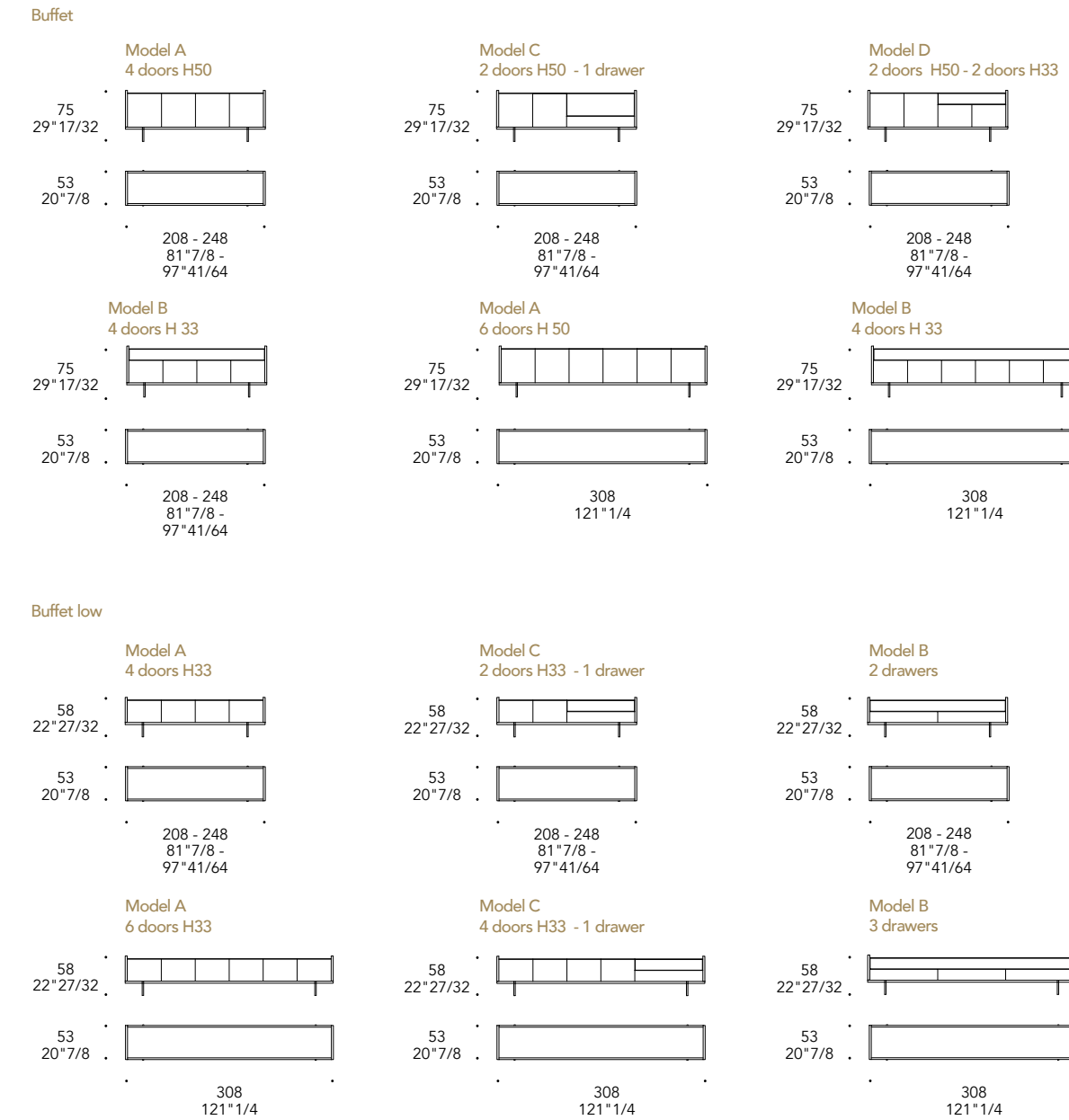
Design · Emanuele Missaglia e Luciano Lucatello

## BUFFET & BUFFET LOW

### COMPONENTI COMPONENTS

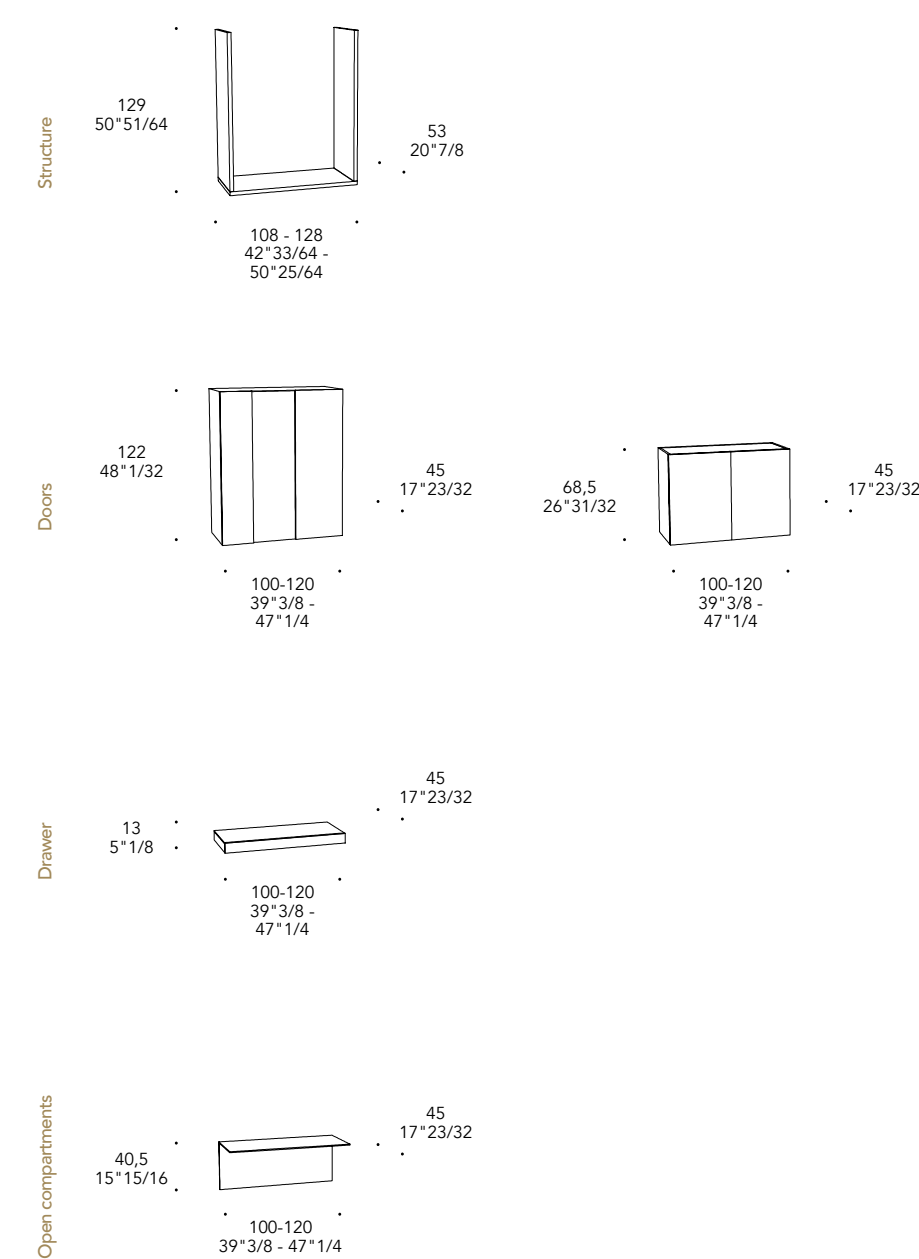


### COMPOSIZIONI COMPOSITIONS

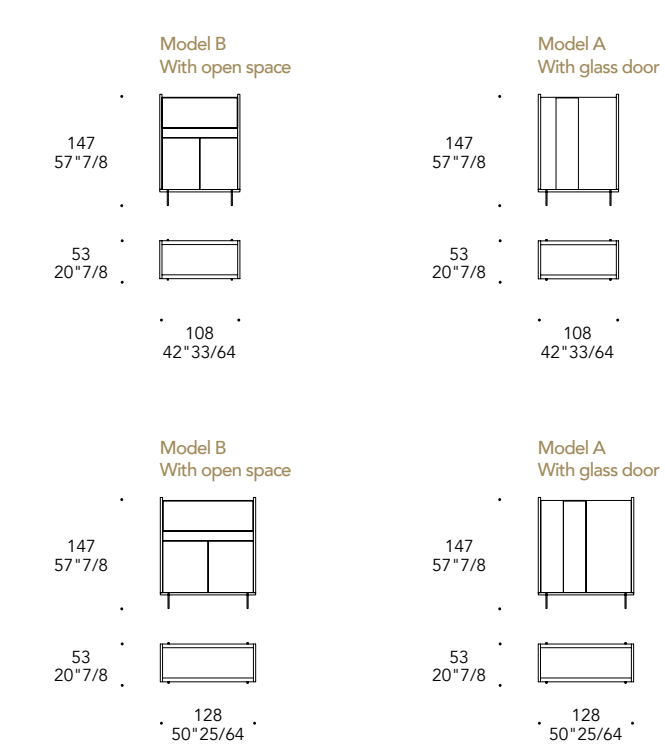


## MADIA

### COMPONENTI COMPONENTS



### COMPOSIZIONI COMPOSITIONS



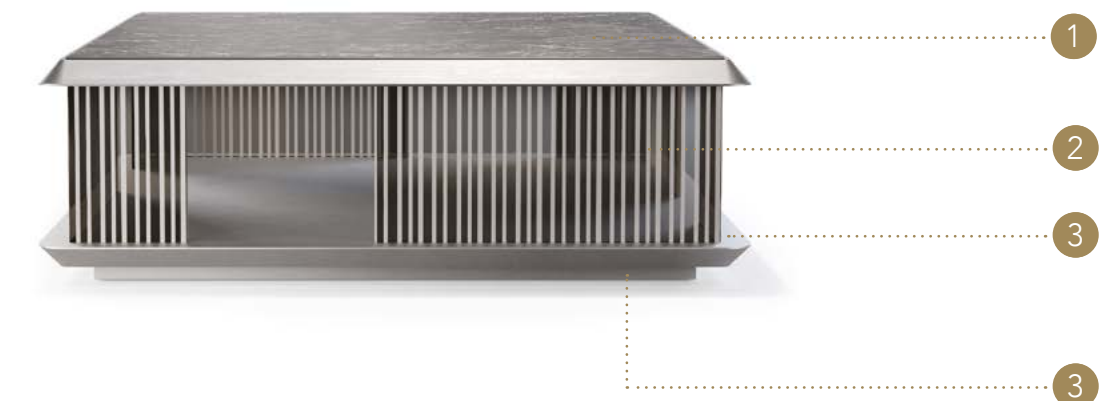


# MONOLITE 40

Design · R&C Reflex



► Bevel MarmoReflex top in Calacatta Oro with edge in Bronze 100M finish  
 Base and plinth in Bronze 100M finish  
 Structure in Bronze glass with London engravings  
 160 x 160 x 38 h



## TOP | 1

Bevel vetro marmo  
 Bevel marble glass  
**MARMOREFLEX®**



MATERIAL SHEET-D

Bevel vetro legno  
 Bevel wood glass  
**LEGNOREFLEX®**



MATERIAL SHEET-D



Bordo in  
 Edge in:



sp./thick 40 mm.

100M Bronze  
 100M Bronze

## STRUTTURA STRUCTURE | 2

Vetro  
 Glass



Incisione London bronzo  
 Bronze London engravings



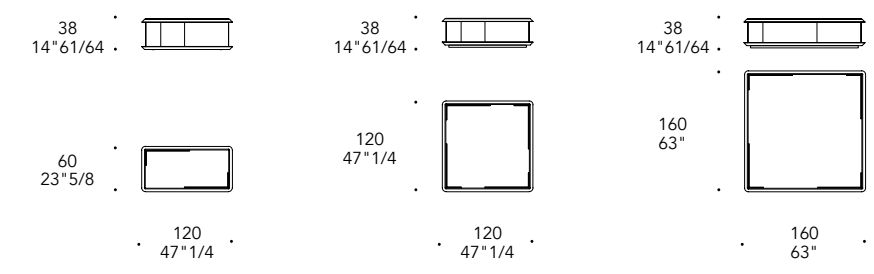
Incisione London fumè  
 Smoked London engravings

## BASE E ZOCCOLO | 3 BASE AND PLINTH

Legno  
 Wood



100M Bronze  
 100M Bronze



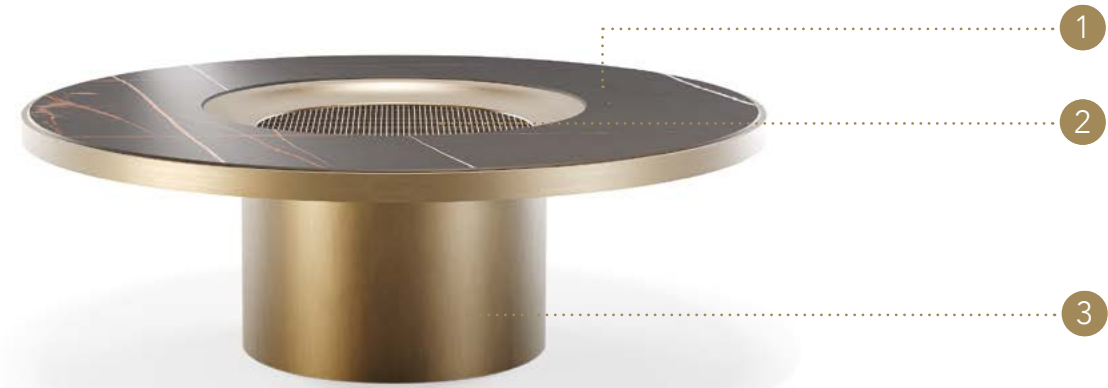


# TAU 40 STEEL THERASIA

Design · Riccardo Lucatello



► Top in MarmoReflex Sahara  
Central inlay in Mesh glass  
Base in satin Dark Brass 105M finish  
Ø 120 x 40 h



## TOP | 1

### MARMOREFLEX®

Legno in tinta con la base con  
inserto in vetro Marmo  
Wood in the same colour of  
base with Marble glass insert



MATERIAL SHEET-D

sp./thick 40 mm.

### LEGNOREFLEX®

Legno in tinta con la base con  
inserto in legno Marmo  
Wood in the same colour of  
base with Wood glass insert



MATERIAL SHEET-D

sp./thick 40 mm.

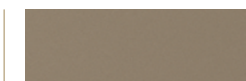
## INSERTO CENTRALE | 2 CENTRAL INLAY

Vetro  
Glass



Mesh

## BASE | 3



100M Bronze  
100M Bronze



104M Ottone satinato  
104M Satin Brass



105M Ottone Dark sat  
105M Satin Dark Brass



101M Titanium satinato  
101M Satin Titanium

40  
15\*3/4



Ø 120  
47\*1/4





# TAU 40 MURANO

Design · Tulczinsky



MURANO

► Top in Grey Murano glass  
Base in Tobacco Murano glass  
48 x 48 x 35 h

Top in Tobacco Murano glass  
Base in Tobacco Murano glass  
48 x 48 x 47 h



## TOP | 1

Vetro di Murano  
Murano Glass



Ambra  
Amber



Grigio  
Grey



Tabacco  
Tobacco

## INSERTO | 2 INSERT

Metallo  
Metal



Acciaio satinato  
Brushed steel

## BASE | 3

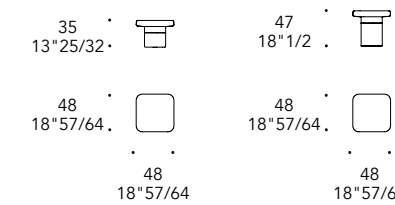
Vetro di Murano  
Murano Glass



Tabacco  
Tobacco



Verde  
Green



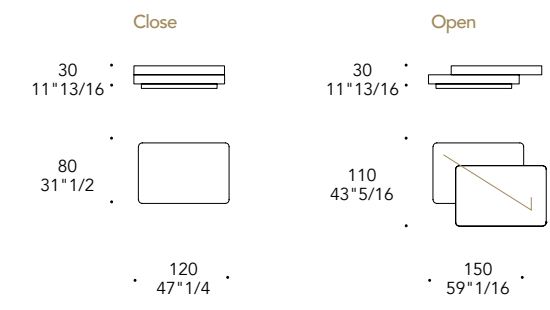


# SLIDE 40

Design · Tulczinsky



► Structure in satin Dark Brass 105M finish  
 Top 1 & 2 in MarmoReflex Calacatta Oro  
 Plinth in Bronze 100M finish  
 120 x 80 x 30 h



## STRUTTURA | 1 STRUCTURE

Legno  
Wood

|                 |   |
|-----------------|---|
|                 |   |
|                 | 100M Bronze<br>100M Bronze                    |
| finitura/finish |   |
|                 | 104M Ottone satinato<br>104M Satin Brass      |
|                 |   |
|                 | 105M Ottone Dark sat<br>105M Satin Dark Brass |
|                 |   |
|                 | 101M Titanium satinato<br>101M Satin Titanium |

## TOP 1 & 2 | 2

Vetro  
Glass

|                    |
|--------------------|
|                    |
| Specchio<br>Mirror |

MARMOREFLEX®  
Vetro Marmo  
Marble glass

|  |  |                   |
|--|--|-------------------|
|  |  | MATERIAL SHEET- D |
|--|--|-------------------|

LEGNOREFLEX®  
Vetro Legno  
Wood glass

|  |  |                   |
|--|--|-------------------|
|  |  | MATERIAL SHEET- D |
|--|--|-------------------|

## ZOCOLO PLINTH | 3

Legno  
Wood

|                            |
|----------------------------|
| — finitura/finish —        |
|                            |
| 100M Bronze<br>100M Bronze |





# PETALO 40 h 25

Design · Tulczinsky



► Base in satin Titanium 101M finish  
 Top in MarmoReflex Calacatta Oro  
 Ø 100 x 36 h  
 Ø 120 x 25 h



1

2

## NEWS 2023

36  
14"11/64"



25  
9"27/32"



Ø 100  
39"3/8"



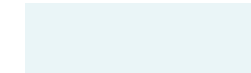
Ø 120  
47"1/4"

+ COLLEZIONE ATTUALE  
 CURRENT COLLECTION



### TOP | 1

Vetro  
Glass



sp./thick 10 mm.  
 bisello/bevel 30 mm

Extrachiaro  
Extra clear

Bronzo  
Bronze

### MARMOREFLEX®

Vetro Marmo  
Marble glass



MATERIAL SHEET-D

### LEGNOREFLEX®

Vetro Legno  
Wood glass



MATERIAL SHEET-D

filo Wing/Wing edge

### BASE | 2

Vetro extrachiaro  
curvato verniciato  
internamente  
Curved extraclear  
glass internally  
lacquered



100M Bronze  
100M Bronze



104M Ottone satinato  
104M Satin Brass



105M Ottone Dark sat  
105M Satin Dark Brass

finitura/finish



101M Titanium satinato  
101M Satin Titanium



# STRATUM POUF

Design: *pietro furina*



► Upholstery in fabric Luxury Venezia 17  
120 x 80 x 43 h



## SEDUTA SEAT | 1

Rivestimento in  
Upholstery in:

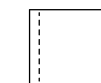
Tessuto  
Fabric



MATERIAL SHEET-A

Super  
Extra  
Luxury

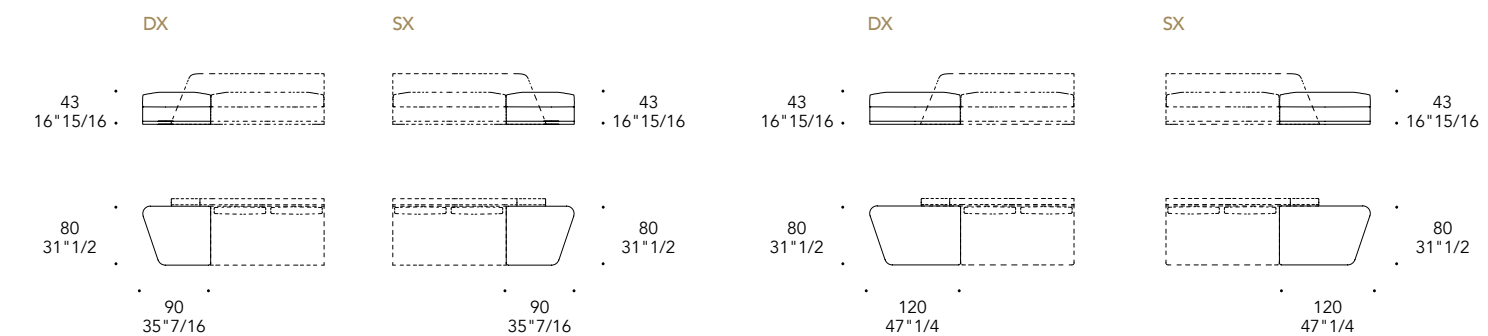
Pelle  
Leather



MATERIAL SHEET-B

Cat C  
Nabuk  
Colorata

### NEWS 2023



+ COLLEZIONE ATTUALE  
CURRENT COLLECTION





# STRATUM SOFA

Design · *pininfarina*



Layer 2 with back in leather Colorata Cognac ◀  
and seat in fabric Luxury Brook street 10  
Module R - 127 x 180 x 68 h

Layer 2 with back in leather Colorata Amarena ▶  
and seat in fabric Luxury Milano 20  
Module R - 127 x 180 x 68 h





# STRATUM SOFA

Design · *pininfarina*



► Layer 2 with back in leather Colorata Amarena and seat in fabric Luxury Milano 20  
Module R - 127 x 180 x 68 h



## SEDUTA SEAT | 1

Rivestimento in  
Upholstery in:

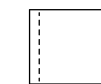
Tessuto  
Fabric



MATERIAL SHEET-A

Super  
Extra  
Luxury

Pelle  
Leather



MATERIAL SHEET-B

Cat C  
Nabuk  
Colorata

## SCHIENALE BACK | 2

Rivestimento in  
Upholstery in:

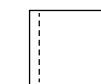
Tessuto  
Fabric



MATERIAL SHEET-A

Super  
Extra  
Luxury

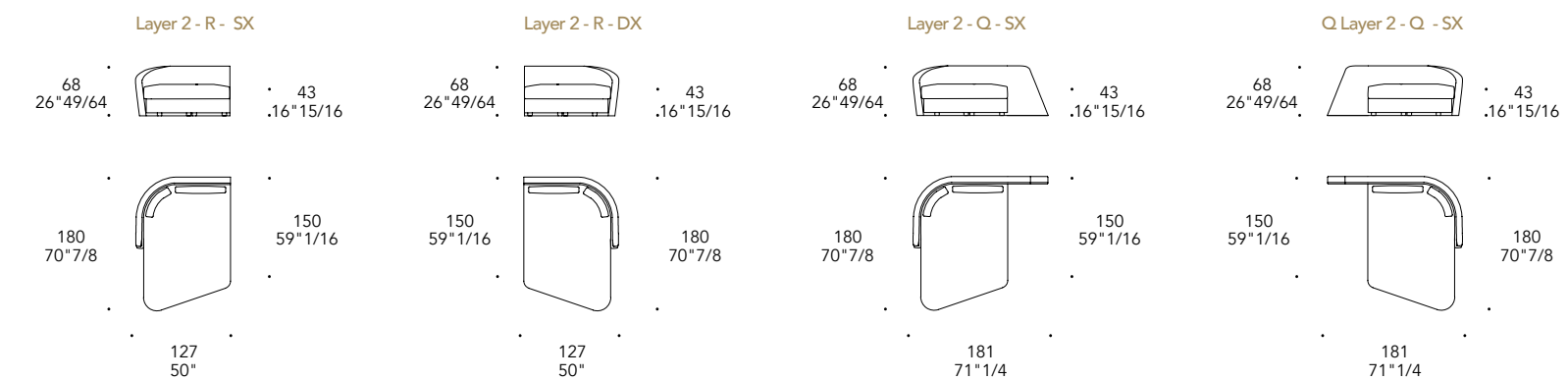
Pelle  
Leather



MATERIAL SHEET-B

Cat C  
Nabuk  
Colorata

### NEWS 2023



+ COLLEZIONE ATTUALE  
CURRENT COLLECTION





# ADONE SOFA

Design - Emanuele Missaglia



Upholstery in fabric Luxury Venezia 17 ◀  
Module Z - 155 x 148 x 87,5 h

Upholstery in leather Nabuk Sabbia ▶  
Module Y - 200x 120 x 87,5 h

Upholstery in fabric Luxury Venezia 17  
Module Z - 155 x 148 x 87,5 h





# ADONE SOFA

Design - Emanuele Missaglia



► Upholstery in leather Nabuk Grigio Chiaro with piping in leather Colorata Mirto  
Module Y - 200x 120 x 87,5 h



## SEDUTA E CUSCINO DI SCHIENALE | 1 SEAT AND BACK CUSHION

Rivestimento in  
Upholstery in:

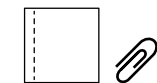
Tessuto  
Fabric



MATERIAL SHEET-A

Super  
Extra  
Luxury

Pelle  
Leather



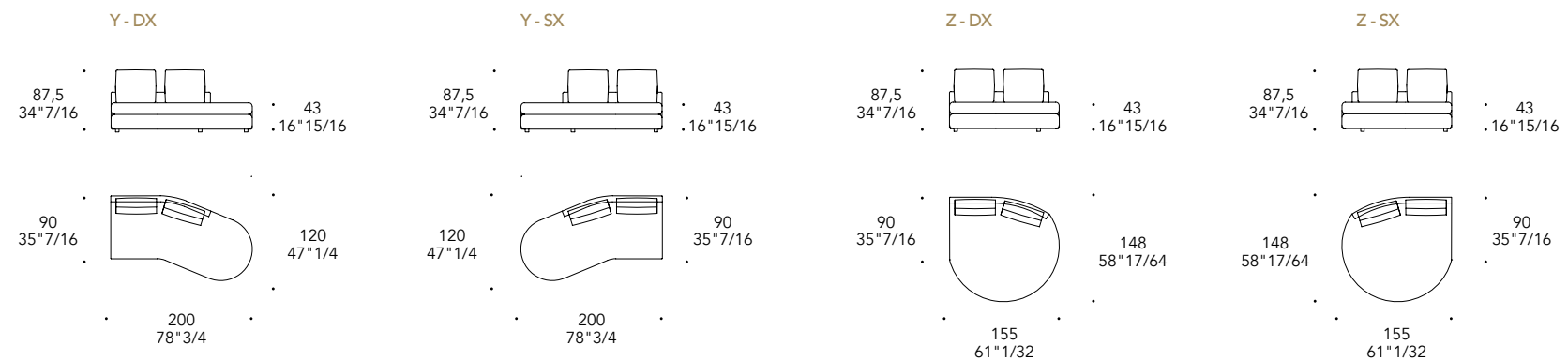
MATERIAL SHEET-B

Naturale  
Colorata  
Nabuk



- Struttura in legno con imbottitura in poliuretano espanso
- Cuscini in piuma d'oca con inserto in poliuretano
- Wooden structure padded with polyurethane foam
- Cushions in goose feather with polyurethan insert

### NEWS 2023



+ COLLEZIONE ATTUALE  
CURRENT COLLECTION





# AMET LOUNGE

Design · Emanuele Missaglia



► Padded seat and back in fabric Decorative Puntino 120  
External back cover in leather Cat C  
Titanium with Emerald quilting  
Legs in satin Titanium 101M finish  
170 x 67 x 71 h



## SCHIENALE, SEDUTA E STRUTTURA BACK, SEAT AND STRUCTURE | 1

Rivestimento in  
Upholstery in:

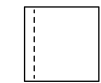
Tessuto  
Fabric



MATERIAL SHEET-A

Super  
Extra  
Luxury

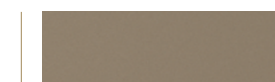
Pelle  
Leather



MATERIAL SHEET-B

Cat. C  
Naturale  
Nabuk  
Colorata

## GAMBE LEGS | 2



100M Bronze  
100M Bronze



104M Ottone satinato  
104M Satin Brass

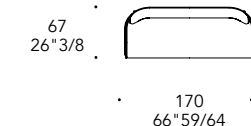


105M Ottone Dark satinato  
105M Satin Dark Brass



101M Titanium satinato  
101M Satin Titanium

finitura/finish



## OPTIONAL COVER ESTERNA | 3 EXTERNAL COVER

Rivestimento in  
Upholstery in:

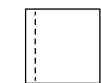
Tessuto  
Fabric



MATERIAL SHEET-A

Super  
Extra  
Luxury  
C.O.M

Pelle  
Leather



MATERIAL SHEET-B

Naturale  
Nabuk  
Colorata

OPTIONAL |  
Per cover esterna  
For external cover

- Trapuntatura Emerald, San Marco, Diamond, Fly, Exagon
- Emerald, San Marco, Diamond, Fly, Exagon quilting
- Piping in tinta oppure a contrasto in tessuto Amsterdam o in pelle Cat. C
- Matching piping or in contrast colour in Amsterdam fabric or in Cat. C leather



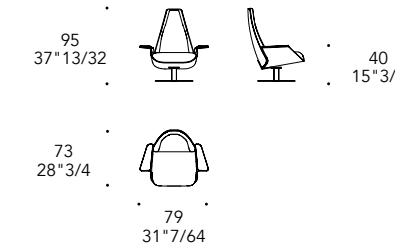


# MINERVA POLTRONA HIGH

Design · Emanuele Missaglia



► Padded seat and back in leather Nabuk Bianco  
Shell and base in satin Dark Brass 105M finish  
79 x 73 x 95 h



## INTERNO SCHIENALE E SEDUTA INNER BACK AND SEAT | 1

Rivestimento in:  
Upholstery in:

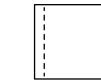
Tessuto  
Fabric



MATERIAL SHEET-A

Super  
Extra  
Luxury

Pelle  
Leather



MATERIAL SHEET-B

Cat. C  
Colorata  
Nabuk

## SCocca SHELL | 2

Verniciata  
Lacquered



100M Bronze  
100M Bronze

finitura/finish



104M Ottone satinato  
104M Satin brass



105M Ottone dark satinato  
105M Satin dark brass



101M Titanium satinato  
101M Satin titanium

## BASE | 3

Metallo  
Metal



100M Bronze  
100M Bronze

finitura/finish



105M Ottone dark satinato  
105M Satin dark brass



104M Ottone satinato  
104M Satin brass



101M Titanium satinato  
101M Satin titanium



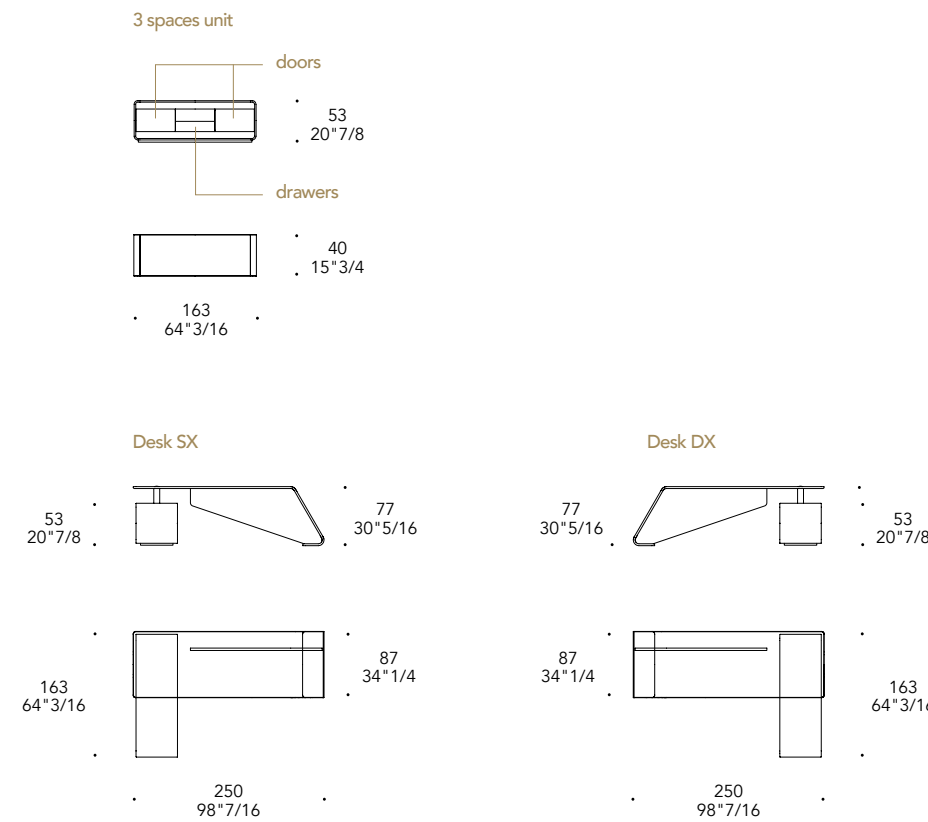
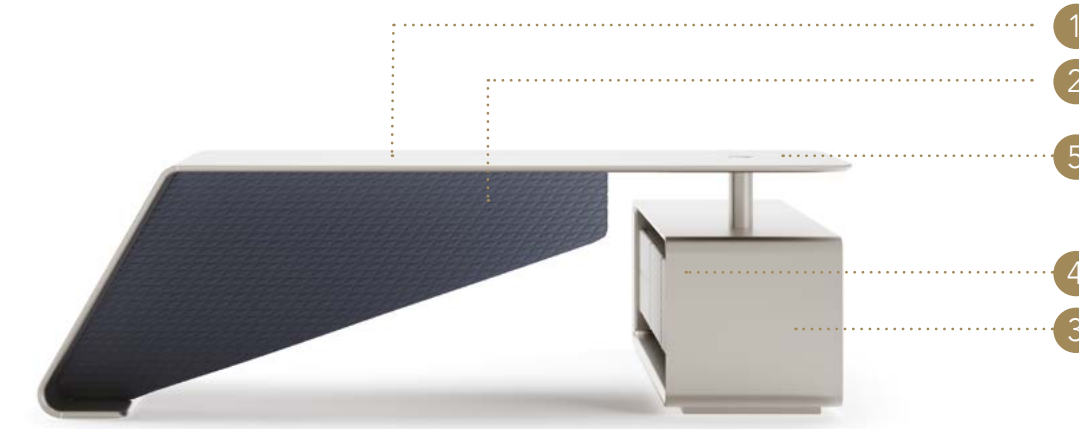


# OH SCRIVANIA

Design · Tulczinsky



▶ Wooden structure in satin Titanium 101M finish  
Front panel upholstered in leather Colorata Blu Grafite with Segno quilting  
Unit in satin Titanium 101M finish with doors in leather Cat. C Platino with Segno quilting  
150 x 162 x 77 h



## STRUTTURA & CASSETTIERA | 1 3

STRUCTURE & UNIT

|   |  |  |
|---|--|--|
| Legno<br>Wood                                 |  |  |
| 100M Bronze<br>100M Bronze                    |  |  |
| finitura/finish                               |  |  |
| 104M Ottone satinato<br>104M Satin brass      | 105M Ottone dark satinato<br>105M Satin dark brass |  |
| 101M Titanium satinato<br>101M Satin titanium |  |  |

## PANNELLO FRONTALE & ANTE | 2 4

FRONT PANEL & DOORS

Rivestimento in:  
Upholstery in:  
Pelle  
Leather

MATERIAL SHEET-B

Cat C  
Colorata  
Nabuk  
Naturale



## PASSACAVI | 5

CABLE ENTRY

|                    |  |
|--------------------|--|
| Metallo<br>Metal   |  |
| Cromato<br>Chromed |  |





# MINERVA OFFICE HIGH

Design · Emanuele Missaglia



R

Shell detail in satin Titanium 101M finish ◀

Inner back and seat upholstered in ►  
leather Colorata Blu Grafite  
Shell lacquered in satin Titanium 101M finish  
Base in satin Titanium 101M finish  
79 x 63 x 116/127 h



R



# MINERVA OFFICE

Design · Emanuele Missaglia



## INTERNO SCHIENALE E SEDUTA INNER BACK AND SEAT | 1

Rivestimento in:  
Upholstery in:

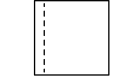
Tessuto  
Fabric



MATERIAL SHEET-A

Super  
Extra  
Luxury

Pelle  
Leather



MATERIAL SHEET-B

Cat. C  
Colorata  
Nabuk

## SCocca SHELL | 2

Verniciata  
Lacquered



100M Bronze  
100M Bronze

finitura/finish



104M Ottone satinato  
104M Satin brass



105M Ottone dark satinato  
105M Satin dark brass



101M Titanium satinato  
101M Satin titanium

## BASE | 3

Metallo  
Metal



100M Bronze  
100M Bronze

finitura/finish



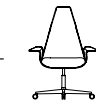
105M Ottone dark satinato  
105M Satin dark brass



101M Titanium satinato  
101M Satin titanium

## NEWS 2023

116 - 127  
45° 21°/32° -  
50°



51 - 62  
20°/3°/32° -  
24°/27°/64°

97 - 108  
38°/3°/16° -  
42°/33°/64°



51 - 62  
20°/3°/32° -  
24°/27°/64°

63  
24°/13°/16°



79  
31°/7°/64°

63  
24°/13°/16°



79  
31°/7°/64°

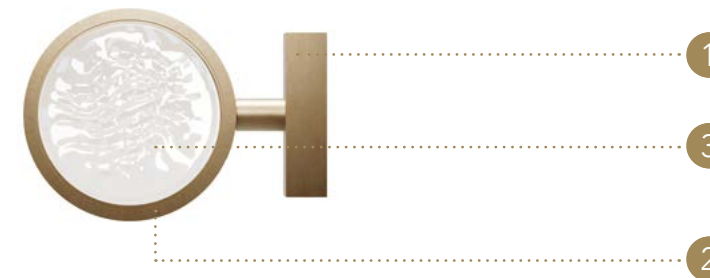
► Inner back and seat upholstered in leather Colorata Cognac  
Shell and base lacquered in satin Titanium 101M finish  
79 x 63 x 97/108 h





# ACQUA APPLIQUE

Design · Marco Piva



## SUPPORTO SUPPORT | 1

Metallo  
Metal

finitura/finish



100M Bronze  
100M Bronze

## CORNICE FRAME | 2

Metallo  
Metal

finitura/finish



100M Bronze  
100M Bronze

## CORPO SHADE | 3

Vetro Murano  
Murano glass

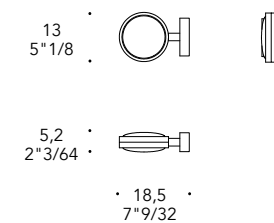


Trasparente  
Transparent

- Sistema Led / Led system

10W - 2700/3000K

Support and frame in Bronze 100M finish ◀  
Shade in transparent Murano glass  
18,5 x 5,2 x 13 h





# DUNE SOSPENSIONE

Design · Riccardo Lucatello



## SUPPORTO SUPPORT | 1

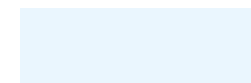
Vetro  
Glass



Specchio  
Mirror

## CORPO SHADE | 2

Vetro  
Glass

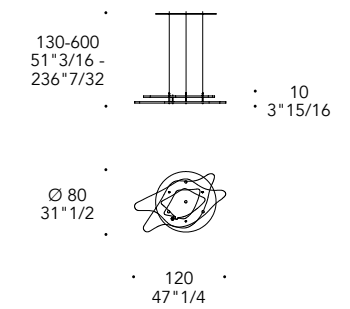


sp./thick 19 mm.

Extrachiaro  
Extra clear

- Sistema Led / Led system  
60W - 2700/3000K

Support in Mirror glass ◀  
Shade in Extra clear glass  
120 x 80 x 130 h





# CERCHIO SOSPENSIONE

Design · Tulczinsky



► Shade in Bronze 100M finish  
single element - Ø 80 x 130 h



## SUPPORTO SUPPORT | 1

Metallo  
Metal

finitura/finish

100M Bronze  
100M Bronze

## CORPO SHADE | 2

Legno  
Wood

100M Bronze  
100M Bronze

finitura/finish

104M Ottone satinato  
104M Satin brass

105M Ottone dark satinato  
105M Satin dark brass

101M Titanium satinato  
101M Satin titanium

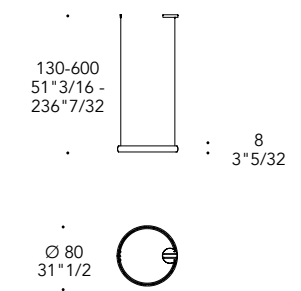
## GIUNZIONE JOINT | 3

Metallo  
Metal

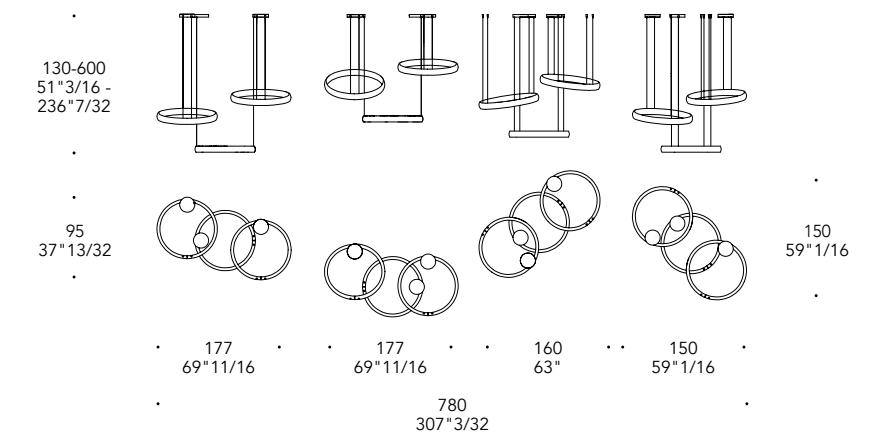
Acciaio lucido  
Shiny steel

- Sistema Led / Led system  
Single element: 50W - 2700/3000K

### Single element



### Examples of composition





# SPACE LAMPADARIO

Design · Riccardo Lucatello



► Shade in MarmoReflex Onice Bianco  
Frame in Bronze 100M finish  
Ø 175 x 130 h



## ROSONE CANOPY | 1

Metallo  
Metal

finitura/finish

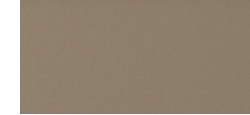


100M Bronze  
100M Bronze

## CORNICE FRAME | 2

Metallo  
Metal

finitura/finish



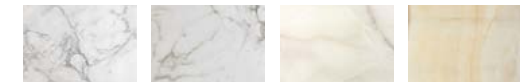
100M Bronze  
100M Bronze

## CORPO SHADE | 3

Vetro Marmo  
Marble glass

**MARMOREFLEX®**

h. 40 mm



Calacatta Calacatta Onice Onice  
Oro Oro Bianco Oro

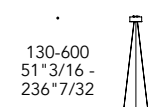


Onice Onice Agata Agata  
Verde Grigio Azzurra Crystal

- Sistema Led / Led system

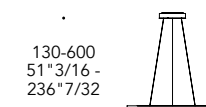
Ø 70: 30W - 110-240V - 2.000 Lumen  
Ø 120: 180W - 110-240V - 8.000 Lumen  
Ø 175: 200W - 110-240V - 12.000 Lumen

Internal hole: Ø 18



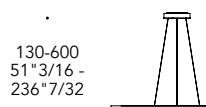
Ø 70  
27\*9/16

Internal hole: Ø 75



Ø 120  
47\*1/4

Internal hole: Ø 75



Ø 175  
68\*29/32

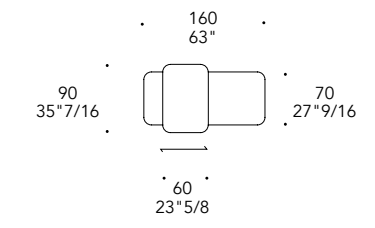
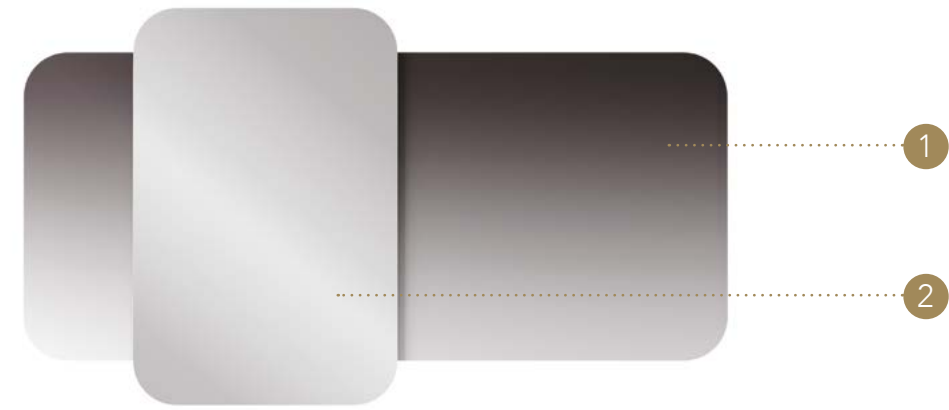


# NUANCE MOVE SPECCHIO

Design Emanuele Missaglia



► Back panel in glass with gradient Blue-grey  
Mirror in Extra clear mirror glass  
160 x 90



## SFONDO BACK PANEL | 1

Vetro sfumato  
Glass with gradient



Blu-grigio  
Blue-grey

Verde-grigio  
Green-grey



Hennè-grigio  
Hennè-grey

Rosa-grigio  
Pink-grey

## SPECCHIO MIRROR | 2

Vetro  
Glass  
sp./thick 5 mm.



Specchio extrachiaro  
Extra clear mirror



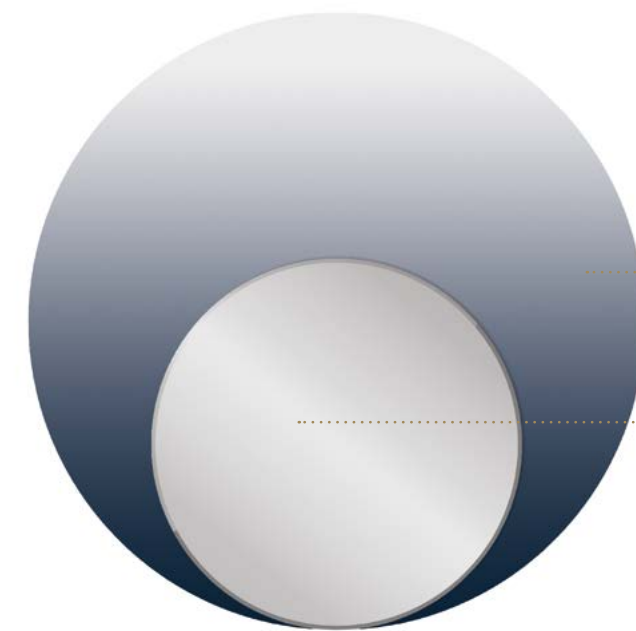


# NUANCE SPECCHIO

Design - Emanuele Missaglia



► Back panel in glass with gradient Green-grey  
Mirror in Extra clear mirror glass  
140 x 140



## SFONDO BACK PANEL | 1

Vetro sfumato  
Glass with gradient



Blu-grigio  
Blue-grey

Verde-grigio  
Green-grey



Hennè-grigio  
Hennè-grey

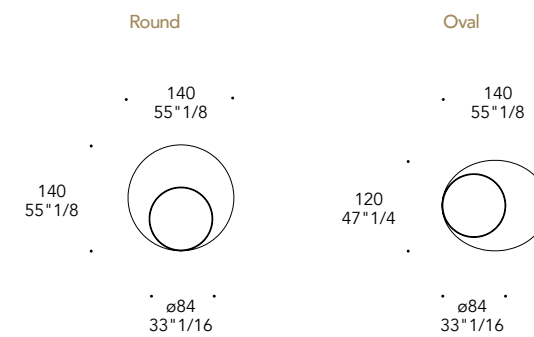
Rosa-grigio  
Pink-grey

## SPECCHIO MIRROR | 2

Vetro  
Glass  
sp./thick 5 mm.



Specchio extrachiaro  
Extra clear mirror





# SPACE XL LETTO

Design · Emanuele Missaglia



► Frame in satin Brass 104M finish  
Headboard and bedframe in fabric Extra Amsterdam 34 with Millerighe quilting  
Lateral wings in MarmoReflex Onice Bianco with back light  
404 x 219 x 270 h



## CORNICE FRAME | 1

|                 |   |  |
|-----------------|---|--|
| Legno<br>Wood   |   |  |
|                 | 100M Bronze<br>100M Bronze                    |  |
| finitura/finish |   |  |
|                 | 104M Ottone satinato<br>104M Satin brass      | 105M Ottone dark satinato<br>105M Satin dark brass |
|                 |   |  |
|                 | 101M Titanium satinato<br>101M Satin titanium |  |

## ALI LATERALI | 3 LATERAL WINGS

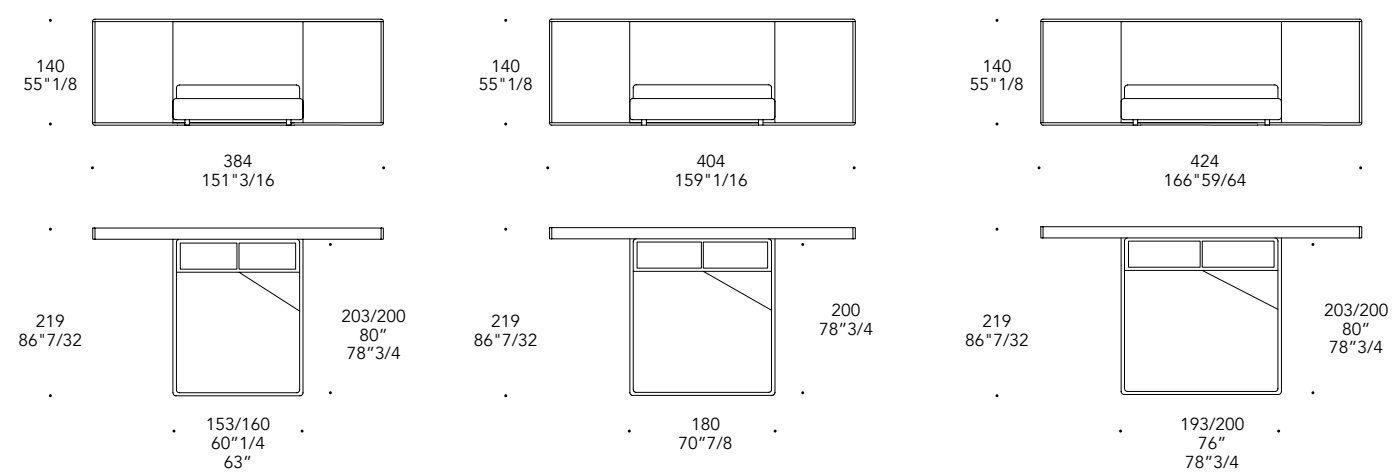
Vetro Marmo retroilluminato  
Marble glass with back light  
**MARMOREFLEX**

|             |               |               |               |
|-------------|---------------|---------------|---------------|
|             |               |               |               |
| Calacatta   | Calacatta Oro | Onice Bianco  | Onice Oro     |
|             |               |               |               |
| Onice Verde | Onice Grigio  | Agata Azzurra | Agata Crystal |

## TESTIERA E GIROLETTO | 2 4 HEADBOARD AND BEDFRAME

|  |                            |                  |                         |
|--|----------------------------|------------------|-------------------------|
| Pelle<br>Leather                         |                            |                  | <b>MATERIAL SHEET-B</b> |
|  | Cat C<br>Nabuk<br>Colorata |                  |                         |
| Tessuto<br>Fabric                        |                            |                  | <b>MATERIAL SHEET-A</b> |
|  | Extra<br>Luxury            |                  |                         |
| Trapunta testiera<br>Headboard quilting: |                            |                  |                         |
|  | Trapunta San Marco         | Trapunta Diamond | Trapunta Emerald        |
|  |                            |                  |                         |
|  | Trapunta Fly               | Trapunta Exagon  | Trapunta Millerighe     |

- Rete e materasso non inclusi  
- Sistema Led  
- Slatted support and mattress not included  
- Led system





# IMPACT LETTO & XL

Design · R&C Reflex



► Frame in satin Brass 104M finish  
 Decoration in satin Brass 104M finish  
 Headboard and bedframe in Nabuk Tortora  
 369 x 215 x 140 h



## TESTIERA HEADBOARD | 1

Sagomata con rivestimento in  
 Shaped with upholstery in:

Pelle  
 Leather



MATERIAL SHEET-B

Cat C  
 Nabuk  
 Colorata

## DECORO E CORNICE | 2 DECORATION AND FRAME

Legno sagomato laccato  
 Lacquered shaped wood

finitura/finish



104M Ottone satinato  
 104M Satin brass

Oro  
 Gold

## GIROLETTO BEDFRAME | 3

Rivestimento in  
 Upholstery in:

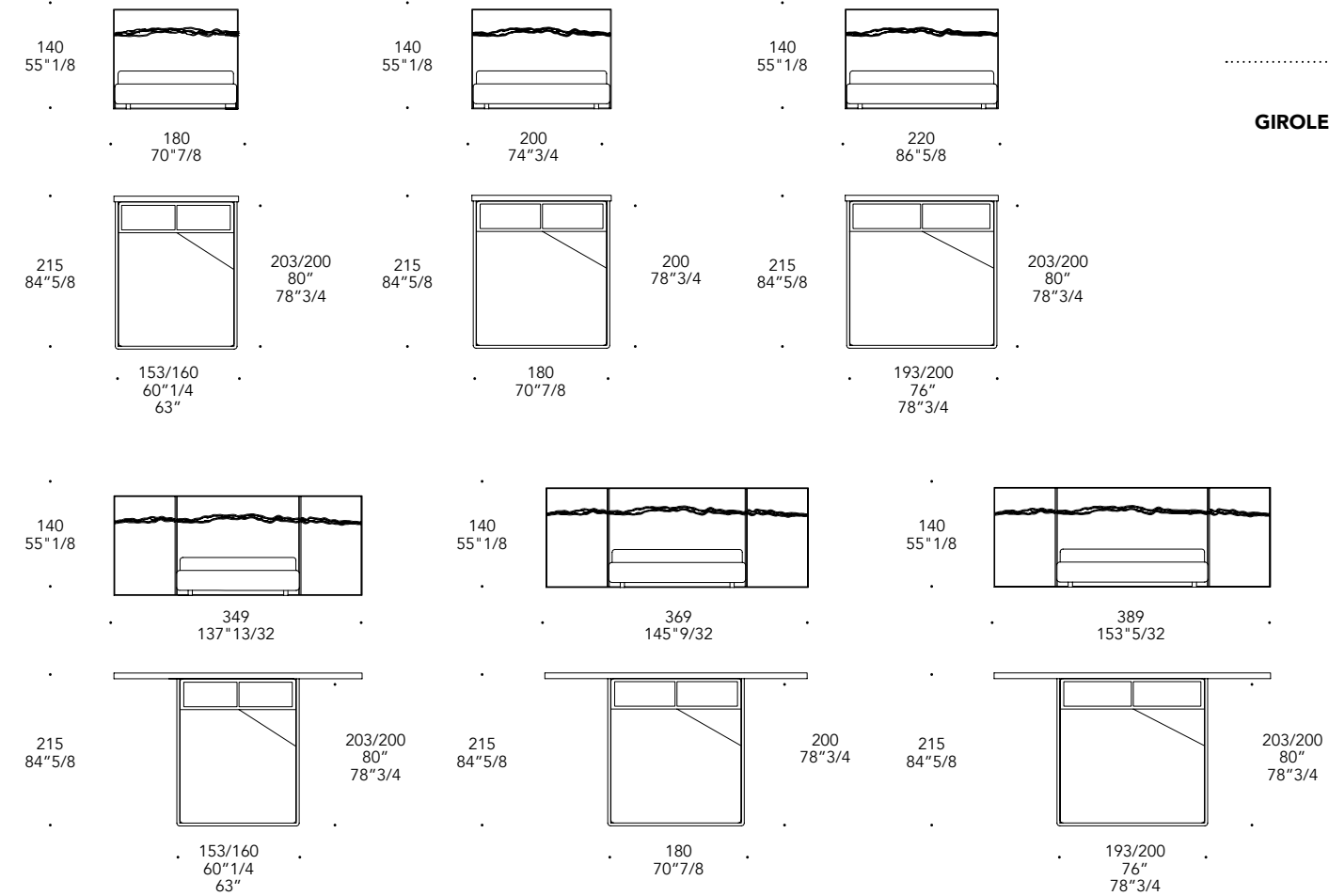
Pelle  
 Leather



MATERIAL SHEET-B

Cat C  
 Nabuk  
 Colorata

- Rete e materasso non inclusi  
 - Slatted support and mattress not included





# OH LETTO HIGH

Design · Tulcinsky



► Headboard in Bronze 100M finish and upholstered in leather Nabuk Bianco  
Bedframe upholstered in leather Nabuk Bianco  
200 x 215 x 150 h



## TESTIERA HEADBOARD | 1

Legno laccato  
Lacquered wood

|   |   |
|---|---|
| 100M Bronze<br>100M Bronze                    | 104M Ottone satinato<br>104M Satin Brass      |
| 105M Ottone Dark sat<br>105M Satin Dark Brass | 101M Titanium satinato<br>101M Satin Titanium |

finitura/finish

Rivestimento in:  
Upholstery in:

Tessuto  
Fabric



Extra Amsterdam

Pelle  
Leather



Naturale  
Nabuk



## GIROLETTO BEDFRAME | 2

Rivestimento in:  
Upholstery in:

Tessuto  
Fabric

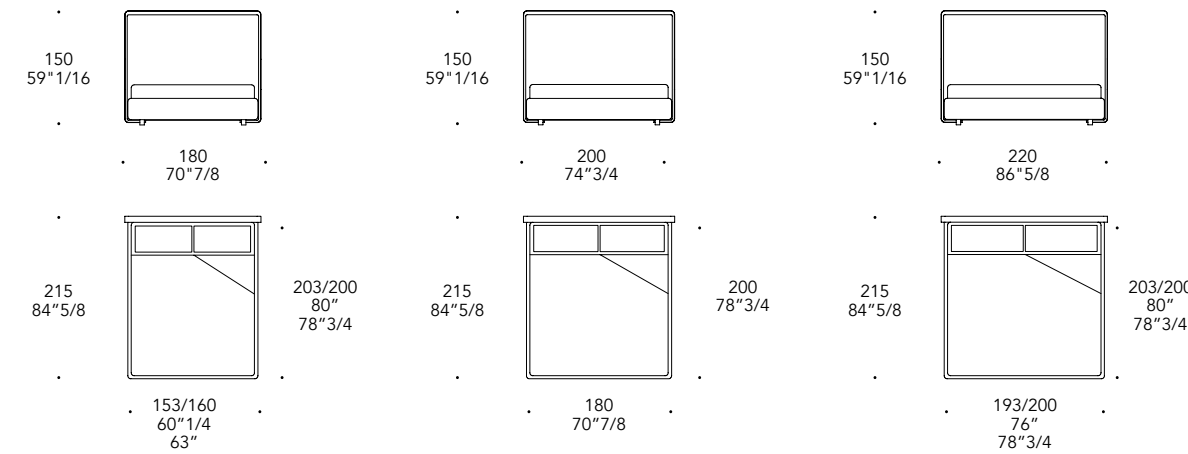


Extra Amsterdam

Pelle  
Leather



Naturale  
Nabuk

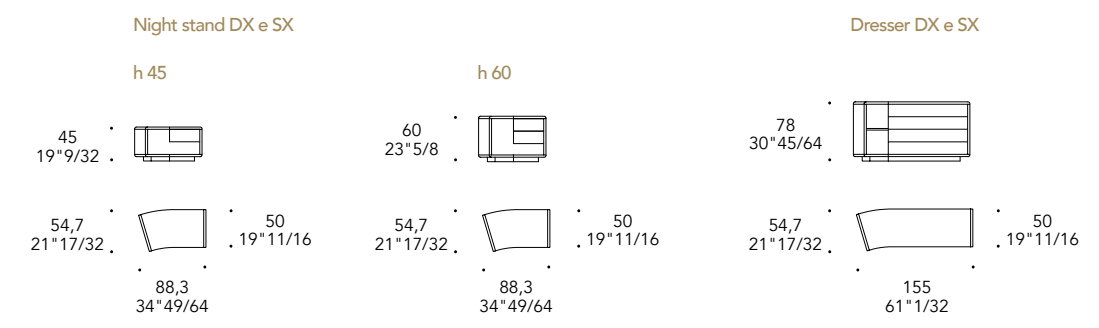
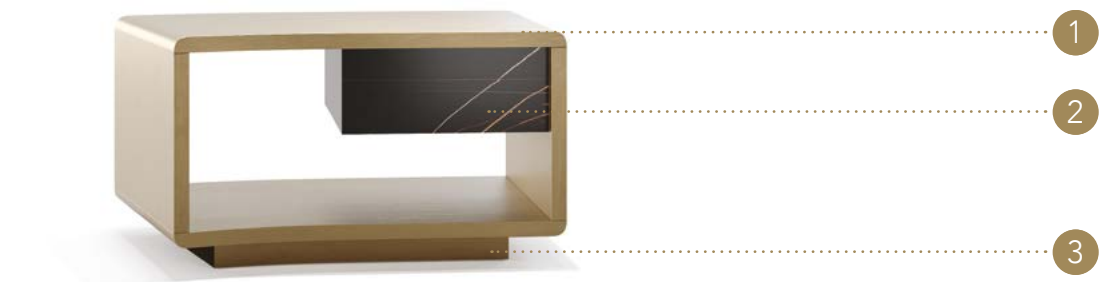
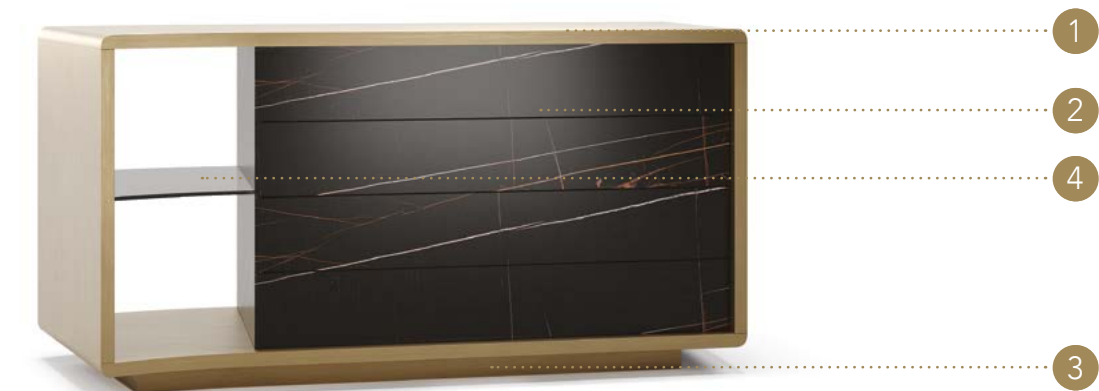


- Rete e materasso non inclusi  
- Slatted support and mattress not included



# SPACE COMODINI E COMO'

Design · R&C Reflex



Structure and plinth in satin Dark Brass 105M finish  
 Drawers in MarmoReflex Amani Daino  
 Shelf in smoked glass  
 155 x 54,7 x 78 h

## STRUTTURA STRUCTURE | 1

|   |  |
|---|--|
| Legno<br>Wood                                 |  |
| 100M Bronze<br>100M Bronze                    |  |
| 104M Ottone satinato<br>104M Satin Brass      |  |
| 105M Ottone Dark sat<br>105M Satin Dark Brass |  |
| 101M Titanium satinato<br>101M Satin Titanium |  |

## CASSETTO DRAWER | 2

Rivestimento in:  
Upholstery in:

|   |  |  |                         |
|---|--|--|-------------------------|
| Vetro Marmo<br>Marble glass<br><b>MARMOREFLEX</b> |  |  | <b>MATERIAL SHEET-D</b> |
| Vetro Legno<br>Wood glass<br><b>LECNOREFLEX</b>   |  |  | <b>MATERIAL SHEET-D</b> |

## ZOCOLO PLINTH | 3

|                            |  |
|----------------------------|--|
| Legno<br>Wood              |  |
| 100M Bronze<br>100M Bronze |  |

## MENSOLA SHELF | 4

|                |  |
|----------------|--|
| Vetro<br>Vetro |  |
| Fumè<br>Smoked |  |





# reflex

## HEADQUARTER

Via Paris Bordone, 78/80  
31056 Biadene  
Treviso – Italy  
(+39) 0422 844440 - Italia  
(+39) 0422 844430 – Estero  
www.reflexangelo.com  
info@reflexangelo.com

## SHOWROOM BIANCADE

Via Gabriele D'Annunzio, 77  
31056 Biadene  
Treviso – Italy  
(+39) 0422 849201

## SHOWROOM MILANO

Via Madonnina, 17  
20121 Brera  
Milano – Italy  
(+39) 02 80582955

## SHOWROOM BERLINO

Taubenstrasse, 26  
D-10117 Berlino  
Germania  
(+49) (0)30 20 888 705  
berlin@reflexangelo.com

Nessuna parte di questo documento, testo o fotografia può essere riprodotta o trasmessa in qualsiasi forma o tramite mezzo elettronico o meccanico, comprese le fotocopie, senza previo permesso scritto da parte della società REFLEX SPA.

No part of this document, text or photo may be reproduced or transmitted in any shape or form, through electronic or paper-based communication, including photocopies, without the prior express written consent of REFLEX SPA.

I colori dei legni, delle laccature, dei tessuti e delle pelli presenti in questo catalogo sono suscettibili dei procedimenti di stampa. Fa fede il campionario dell'azienda. REFLEX SPA si riserva la facoltà di modificare in qualunque momento e senza preavviso le caratteristiche tecniche (misure, finiture, tessuti e pelli) dei suoi prodotti.

Wood, lacquer, fabric and leather colours are not binding and may vary due to printing. Please refer to the company sets of samples. REFLEX SPA reserves the right to modify the technical specifications of the products (sizes, finishes, leather and fabrics) featured in this catalogue at any time and without prior notice.



